

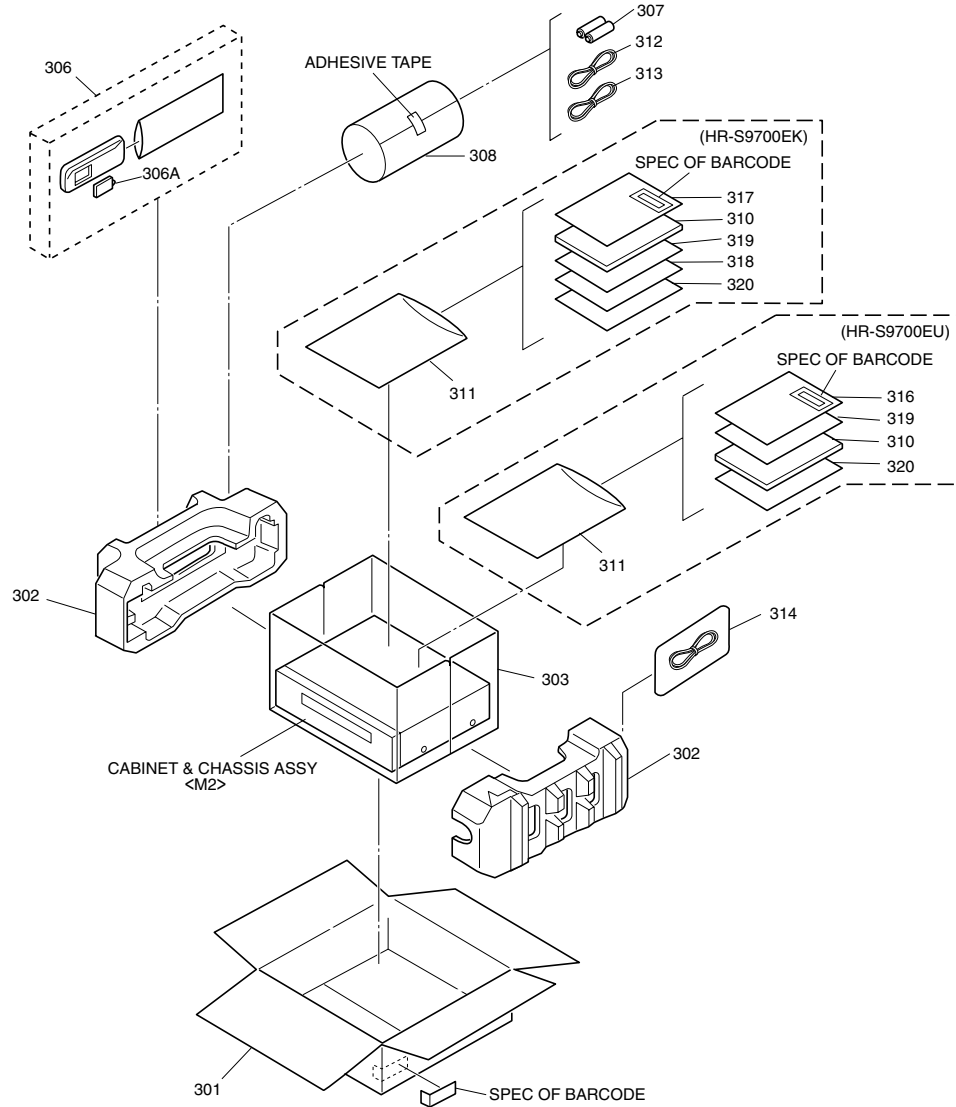
# SECTION 5 PARTS LIST

## SAFETY PRECAUTION

Parts identified by the  $\triangle$  symbol are critical for safety. Replace only with specified part numbers.

### 5.1 PACKING AND ACCESSORY ASSEMBLY <M1>

The instruction manual to be provided with this product will differ according to the destination.

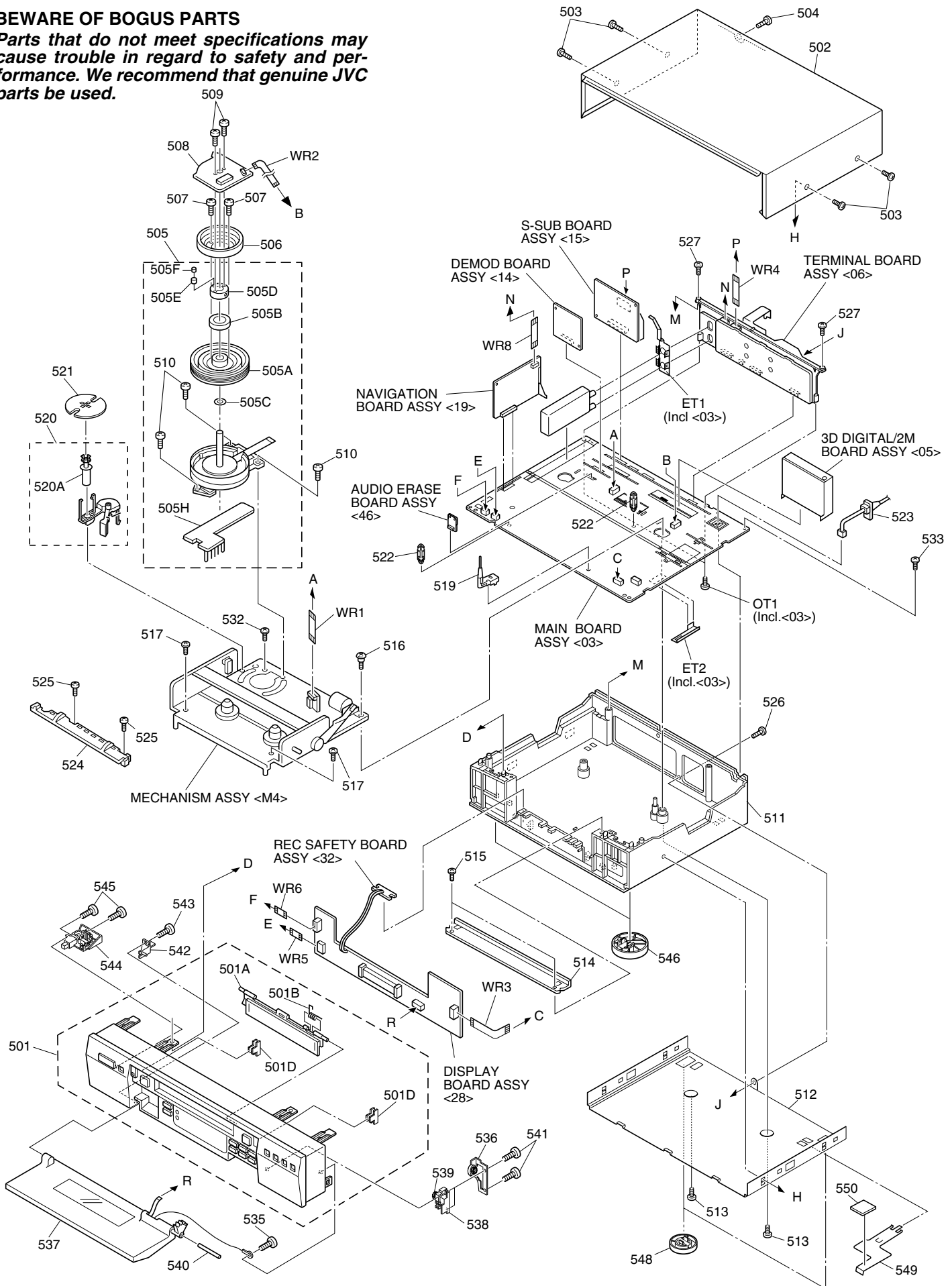


# $\triangle$ REF No.	PART No.	PART NAME, DESCRIPTION	# $\triangle$ REF No.	PART No.	PART NAME, DESCRIPTION
*****					
<b>PACKING AND ACCESSORY ASSEMBLY &lt;M1&gt;</b>					
301	LP30715-001B	PACKING CASE			
302	LP30667-001C	CUSHION ASSY			
303	PQM30021-95	POLY BAG			
306	LP20667-008B	REMOTE CONTROLLER			
306A	LP40225-002A	COVER(BATTERY)			
307	-	BATTERY,X2("R6"TYPE)			
308	QPC02202230P	POLY BAG			
$\triangle$ 310	LPT0320-001B	INST BOOK(EN),S9700EK	$\triangle$	LPT0328-007A	INST BOOK(DA),S9700EU
$\triangle$	LPT0328-001A	INST BOOK(EN),S9700EU	$\triangle$	LPT0328-008A	INST BOOK(FI),S9700EU
$\triangle$	LPT0328-002A	INST BOOK(GE),S9700EU	$\triangle$	LPT0328-009A	INST BOOK(SW),S9700EU
$\triangle$	LPT0328-003A	INST BOOK(FR),S9700EU	$\triangle$	LPT0328-010A	INST BOOK(NO),S9700EU
$\triangle$	LPT0328-004A	INST BOOK(DU),S9700EU	$\triangle$	LPT0328-011A	INST BOOK(PT),S9700EU
$\triangle$	LPT0328-005A	INST BOOK(SP),S9700EU	$\triangle$	LPT0328-012A	INST BOOK(GR),S9700EU
$\triangle$	LPT0328-006A	INST BOOK(IT),S9700EU	$\triangle$	LPT0328-013A	INST BOOK(CZ),S9700EU
			$\triangle$	LPT0328-014A	INST BOOK(PO),S9700EU
			$\triangle$	LPT0328-015A	INST BOOK(HU),S9700EU
			$\triangle$	LPT0328-016A	INST BOOK(RU),S9700EU
			311	QPC02503530P	POLY BAG
			312	PEAC0300-02	RF CABLE
			313	PEAC0358-120	S CABLE
			314	QAL0095-005	LED CABLE ASSY(Satellite Controller)
			316	BT-54013-1	WARRANTY CARD,S9700EU
			317	BT-54008-2	GUARANTY CARD,S9700EK
			318	LYT0194-001A	Q.CARD(JUK),S9700EK
			319	LP40437-001A	LABEL(S-VHS ET)
			320	LP40605-001A	SHEET

## 5.2 CABINET AND CHASSIS ASSEMBLY <M2>

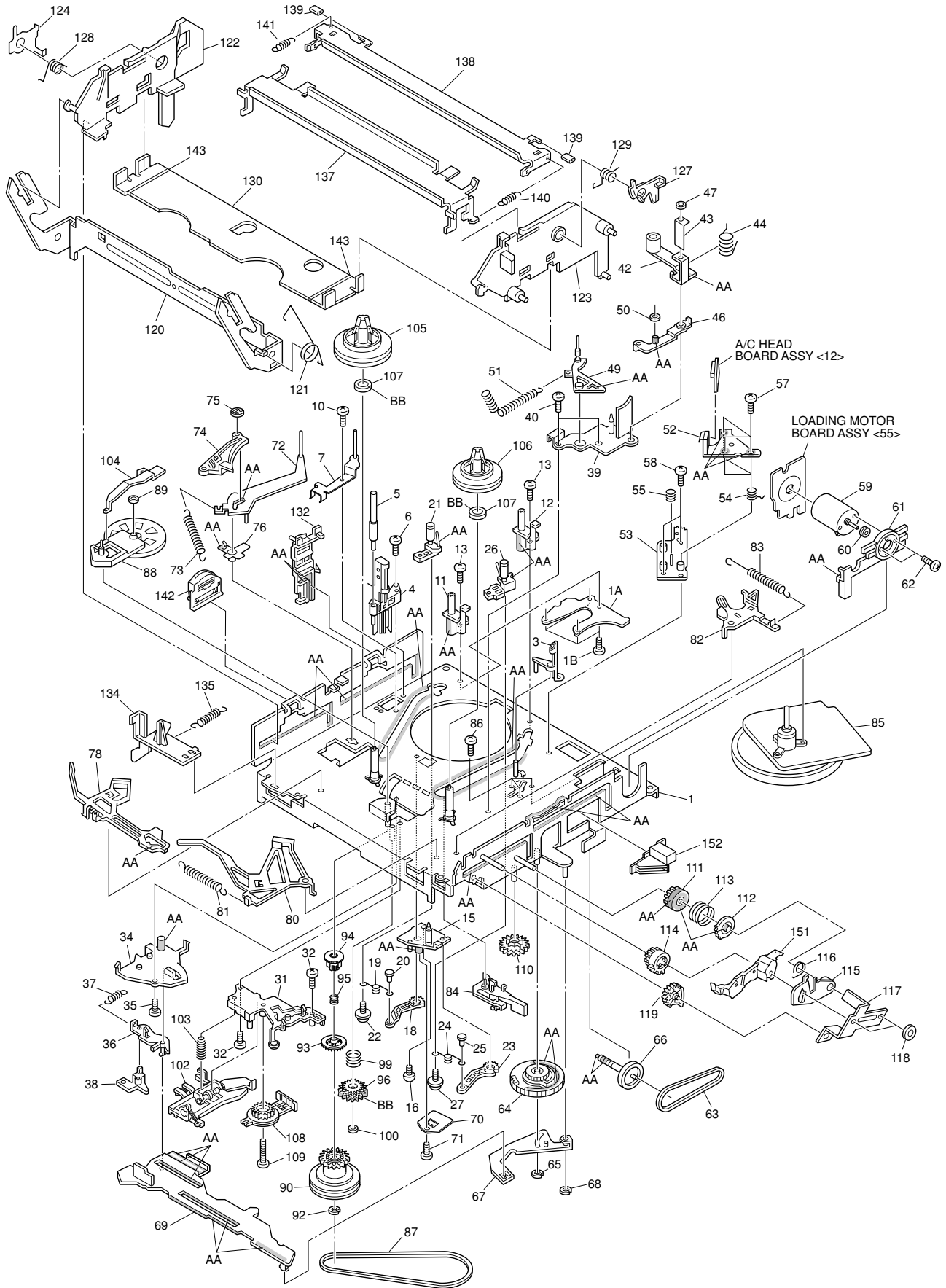
### BEWARE OF BOGUS PARTS

*Parts that do not meet specifications may cause trouble in regard to safety and performance. We recommend that genuine JVC parts be used.*



#	△	REF No.	PART No.	PART NAME, DESCRIPTION	#	△	REF No.	PART No.	PART NAME, DESCRIPTION
*****									
<b>CABINET AND CHASSIS ASSEMBLY &lt;M2&gt;</b>									
△		501	LP10236-005C	FRONT PANEL ASSY,S9700EK			WR1	QUQ112-0720CG	FFC WIRE,A/C HEAD CN2001
△			LP10236-006C	FRONT PANEL ASSY,S9700EU			WR2	QUQ212-0518CG	FFC WIRE,DRUM CN3001
		501A	LP20661-003A	CASSETTE DOOR			WR3	QUQ112-1414CG	FFC WIRE,DISPLAY CN3011
		501B	PQ46448	TORSION SPRING			WR4	QUQ112-1407CG	FFC WIRE,TERMINAL CN512
		501D	PEME0879	MAGNET ASSY,X2			WR5	QUQ212-0516CG	FFC WIRE,JACK CN902
△		502	PQ11922-34	TOP COVER			WR6	QUQ212-0416CG	FFC WIRE,S(FSA) CN901
		503	QYTDSF3010R	SCREW,X4 TOP COVER(SIDE)			WR8	QUQ112-0826CG	FFC WIRE,NAVIGATION CN912
		504	QYTDSF3010M	SCREW,TOP COVER(REAR)					
		505	LP20319-021A	DRUM SUB ASSY					
		505A	LP20030-022A	UPPER DRUM ASSY					
		505B	LP40543-001A	CAP					
		505C	PDM4444-19-2	WASHER					
		505D	LP40572-001A	COLLAR ASSY					
		505E	LP40323-001A	CONTACT					
		505F	LP30004-014A	COMPRESSION SPRING					
		505H	LPA20002-01C	SENSOR BOARD ASSY					
		506	PDZ0179-2-4	ROTOR ASSY					
		507	QYSPSP3006Z	SCREW,X2					
△		508	QAR0119-001	STATOR ASSY					
		509	QYSPSPH2606Z	SCREW,X2					
		510	QYTDST2610Z	SCREW,X3 DRUM					
△		511	LP10140-003G	BOTTOM CHASSIS					
△		512	PQ11921-1-4	BOTTOM COVER					
		513	QYTDSF3010Z	SCREW,X2					
		514	LP30312-001B	BRACKET(CHASSIS)					
		515	QYTDSF3010Z	SCREW,X2					
		516	LP40700-001A	SPECIAL SCREW,MECHA					
		517	QYTDSF3010Z	SCREW,X2 MECHA					
		519	LP40407-001A	KNOB ASSY					
		520	LP40370-001E	ROLLER ARM ASSY					
		520A	PDM4311A-1	ROLLER ASSY					
		521	PQ45160	INERTIA PLATE					
		522	LP40226-001A	PC SUPPORT,X2					
△		523	QMP4A10-170	POWER CORD,S9700EU					
△			QMP51K0-170-K	POWER CORD,S9700EK					
		524	LP30247-001C	FRONT BRACKET					
		525	QYTDST2606Z	SCREW,X2					
		526	QYTDSF3010M	SCREW,TERMINAL					
		527	QYTSPFG3010Z	SCREW,X2 TERMINAL					
		532	QYTDSF4012Z	SCREW,MECHA					
		533	QYTDSF3010Z	SCREW,MAIN					
		535	QYTDSF3010Z	SCREW,EARTH PLATE					
		536	LP40582-002A	DAMPER ASSY					
		537	LP20702-004A	MEMBRANE DOOR					
		538	LP30570-001A	HOLDER(DAMPER)					
		539	QZW0012-002	DAMPER					
		540	LP40500-001A	SHAFT					
		541	QYTDSF3010Z	SCREW,X2					
		542	LP40501-001A	HOLDER(DOOR)					
		543	QYTDSF3010Z	SCREW					
		544	QZW0031-002	DOOR OPEN UNIT					
		545	QYTDSF3010Z	SCREW,X2					
		546	PQ46617A-1	FOOT ASSY,X2					
		548	PQ35504-2	FOOT(2),X2					
		549	LP40659-001A	EARTH PLATE(2)					
		550	LP30002-092A	SPACER					

### 5.3 MECHANISM ASSEMBLY <M4>



Classification	Part No.	Symbol in drawing
Grease	KYODO-SH-P	AA
Oil	COSMO-HV56	BB

**NOTE:**The section marked in **AA** and **BB** indicate lubrication and greasing areas.

#	△	REF No.	PART No.	PART NAME, DESCRIPTION	#	△	REF No.	PART No.	PART NAME, DESCRIPTION
*****									
<b>MECHANISM ASSEMBLY &lt;M4&gt;</b>									
1			LP20884-002F	MAIN DECK ASSY	72			LP40108-002A	TENSION ARM ASSY
1A			LP40275-002B	PLATE(SUPPLY)	73			LP30003-010A	TENSION SPRING
1B			QYTDST2606Z	SCREW,X4	74			LP40109-003D	TENSION BRAKE ASSY
3			LP30492-002B	GIDE POOL GUARD	75			PQ46302-1-3	ADJUST PIN
4			NAH0001-001	FULL ERASE HEAD	76			LP30232-002A	TENSION ARM BEARING
5			LP40098-001B	GUIDE POLE(SUPPLY)	78			LP40532-009B	MAIN BRAKE ASSY (SUPPLY)
6			QYTDST2608Z	SCREW	80			LP40111-014B	MAIN BRAKE AY (TAKE UP)
7			LP40637-002A	TENSION STUD BASE ASSY	81			LP30003-029A	TENSION SPRING
10			QYTDST2606Z	SCREW	82			LP40112-001F	SUB BRAKE ASSY(TAKE UP)
11			LP30409-002C	UV CATCHER 2	83			LP40357-001B	TENSION SPRING
12			LP30409-002C	UV CATCHER 2	84			LP40461-001A	CAPSTAN BRAKE ASSY
13			QYTPST2606Z	SCREW,X2	85			QAR0132-001	CAPSTAN MOTOR
15			LP30223-003C	LOADING ARM GEAR SHAFT	86			QYTDSF2606M	SCREW,X3
16			QYTDST2606Z	SCREW	87			LP30005-008A	BELT,CAPSTAN MOTOR
18			LP30224-001A	LOADING ARM GEAR(SUPPLY)	88			LP40114-011B	IDLER ARM ASSY
19			LP40099-001A	TORSION ARM	89			LP30016-001A	SLIT WASHER
20			LP40100-001A	PIN	90			LP40593-003B	CLUTCH UNIT 3
21			LP40101-007A	POLE BASE ASSY(SUPPLY)	92			PQM30017-47	SLIT WASHER
22			QYSPSTG2606Z	SCREW	93			LP30696-002A	CLUTCH GEAR 4
23			LP40103-002B	LOADING ARM GEAR(TAKE UP)	94			LP30697-003A	COUPLING GEAR
24			LP40099-001A	TORSION ARM	95			LP40554-002A	COMPRESSION SPRING
25			LP40100-001A	PIN	96			LP40442-001A	DIRECT GEAR
26			LP40104-008A	POLE BASE ASSY(TAKE UP)	99			LP40483-002A	COMPRESSION SPRING
27			QYSPSTG2606Z	SCREW	100			LP30016-001A	SLIT WASHER
31			LP20233-004B	ROTARY ENCODER GUIDE	102			LP40484-003B	CHANGE LEVER ASSY
32			QYTPST2606Z	SCREW	103			LP40512-002B	COMPRESSION SPRING
34			LP30226-004D	CONTROL PLATE GUIDE	104			LP30236-002B	IDLER LEVER
35			QYTPST2605Z	SCREW	105			LP20237-003B	REEL DISK ASSY(SUPPLY)
36			LP30249-003B	TAKE UP LEVER	106			LP20238-003B	REEL DISK ASSY(TAKE UP)
37			LP30003-006A	TENSION SPRING	107			LP30017-015A	SPACER,X2
38			LP40119-002A	TAKE UP HEAD	108			QSW0554-003	ROTARY ENCODER
39			LP20234-004B	LID GUIDE	109			QYTPST2620Z	SCREW
40			QYTDST2606Z	SCREW,X2	110			LP30237-002B	CASSETTE GEAR
42			LP40105-001B	PINCH ROLLER ARM ASSY	111			LP30239-002G	LIMIT GEAR(1)
43			LP40478-001A	PINCH ROLLER SHEET2	112			LP30240-002G	LIMIT GEAR(2)
44			LP40148-002A	TORSION SPRING	113			LP40136-001E	TORSION SPRING
46			LP40149-001C	PRESS LEVER ASSY	114			LP30242-002A	RELAY GEAR
47			LP30016-002A	SLIT WASHER	115			LP30339-002E	OPENER GUIDE
49			LP40106-002E	GUIDE ARM ASSY	116			LP40545-001A	TORSION SPRING
50			LP30017-008A	SPACER	117			LP40214-001B	C.H.BRACKET
51			LP40134-001C	TENSION SPRING	118			PQM30017-47	SLIT WASHER,X2
52			QAH0010-004	AC HEAD	119			LP30243-001D	DRIVE GEAR
53			LP30228-001A	HEAD BASE	120			LP20240-001F	DRIVE ARM
54			LP30004-013A	COMPRESSION SPRING,X3	121			LP40137-001A	TORSION SPRING
55			LP40236-001A	COMPRESSION SPRING	122			LP10081-002L	SIDE HOLDER(L)
57			LP40213-002B	SPECIAL SCREW,X3	123			LP10082-002M	SIDE HOLDER(R)
58			QYTDST2608Z	SCREW,X2	124			LP30255-006A	LOCK LEVER(L)
59			QAR0023-001	LOADING MOTOR	127			LP30256-001H	LOCK LEVER(R)
60			PQ43546-1-2	MOTOR PULLEY	128			LP40168-001A	TORSION SPRING(L)
61			LP30230-001B	MOTOR GUIDE	129			LP40218-001B	TORSION SPRING(R)
62			QYTPSP3003Z	SCREW,X2	130			LP30257-001G	CASSETTE HOLDER
63			LP30005-003A	BELT,LOADING MOTOR	132			LP30244-002G	GUIDE RAIL
64			LP20791-002C	CONTROL CAM	134			LP30245-002E	REC SAFETY LEVER
65			PQM30017-24	SLIT WASHER	135			LP30003-004A	TENSION SPRING
66			LP40120-001A	WORM GEAR	137			LP20578-001C	TOP GUIDE
67			LP40107-002A	LINK LEVER ASSY	138			LP30500-001C	HOLD PLATE
68			PQM30017-24	SLIT WASHER	139			LP40450-003A	PAD,X2
69			LP10284-002E	CONTROL PLATE	140			LP30003-025B	TENSION SPRING
70			LP40379-001B	CONTROL BRACKET(1)	141			LP30003-024A	TENSION SPRING
71			QYTDSF2608M	SCREW	142			LP40481-003A	ROLLER CAM ASSY
					143			LP30019-014A	PAD,X2
					151			LP20324-003B	DOOR OPENER
					152			LP30493-001A	START SENSOR CAP

## 5.4 ELECTRICAL PARTS LIST

#	△ REF No.	PART No.	PART NAME, DESCRIPTION
*****			
<b>MAIN BOARD ASSEMBLY &lt;03&gt;</b>			
PW1		LPA10106-03C1	MAIN BOARD ASSY
IC1		JCP8020-MSD-2	IC
IC2501		LC85405JE	IC
IC3001		HD6432194BA26F	IC(MCU)
IC3002		S-80727AN-DQ-X	IC
		or R3111H271A	IC
		or S-80827ANUP-W	IC
IC3003		AT24C16-10PC	IC
		or 24LC16B/P	IC
		or BR24C16	IC
IC3004		BA6956AN	IC
IC3501		BA6956AN	IC
IC3601		BU2090FS	IC
IC3651		BU2090FS	IC
IC5101		STR-G6551	IC
IC5301		LA5644	IC
IC6080		NJM2125F	IC
Q5		2SB1218A/QR/-X	TRANSISTOR
		or 2SA1576A/QR/-X	TRANSISTOR
		or 2PA1576/R/-X	TRANSISTOR
Q7		2SD1819A/QRS/-X	TRANSISTOR
		or 2PC4081/R/-X	TRANSISTOR
		or 2SC4081/QRS/-X	TRANSISTOR
Q8		2SD1819A/QRS/-X	TRANSISTOR
		or 2SC4081/QRS/-X	TRANSISTOR
		or 2PC4081/R/-X	TRANSISTOR
Q9		2SB1218A/QR/-X	TRANSISTOR
		or 2PA1576/R/-X	TRANSISTOR
		or 2SA1576A/QR/-X	TRANSISTOR
Q10		2SB1218A/QR/-X	TRANSISTOR
		or 2SA1576A/QR/-X	TRANSISTOR
		or 2PA1576/R/-X	TRANSISTOR
Q17		DTC144WU	TRANSISTOR
		or PDTC144WU	TRANSISTOR
		or RN1309	TRANSISTOR
		or UN521E	TRANSISTOR
Q18		2SB1218A/QR/-X	TRANSISTOR
		or 2PA1576/R/-X	TRANSISTOR
		or 2SA1576A/QR/-X	TRANSISTOR
Q21		2SB1218A/QR/-X	TRANSISTOR
		or 2SA1576A/QR/-X	TRANSISTOR
		or 2PA1576/R/-X	TRANSISTOR
Q24		2SB1218A/QR/-X	TRANSISTOR
		or 2PA1576/R/-X	TRANSISTOR
		or 2SA1576A/QR/-X	TRANSISTOR
Q25		DTC144WU	TRANSISTOR
		or PDTC144WU	TRANSISTOR
		or RN1309	TRANSISTOR
		or UN521E	TRANSISTOR
Q38		2SD1819A/QRS/-X	TRANSISTOR
		or 2PC4081/R/-X	TRANSISTOR
		or 2SC4081/QRS/-X	TRANSISTOR
Q41		DTC144WU	TRANSISTOR
		or PDTC144WU	TRANSISTOR
		or RN1309	TRANSISTOR
		or UN521E	TRANSISTOR
Q401		2SA1576A/QR/-X	TRANSISTOR

#	△ REF No.	PART No.	PART NAME, DESCRIPTION
Q402		2SA1576A/QR/-X	TRANSISTOR
Q403		DTC144WU	TRANSISTOR
		or PDTC144WU	TRANSISTOR
		or RN1309	TRANSISTOR
		or UN521E	TRANSISTOR
Q404		DTC144WU	TRANSISTOR
		or PDTC144WU	TRANSISTOR
		or RN1309	TRANSISTOR
		or UN521E	TRANSISTOR
Q405		2SA1576A/QR/-X	TRANSISTOR
Q2001		2SC4081/QRS/-X	TRANSISTOR
		or 2SD1819A/QRS/-X	TRANSISTOR
		or 2PC4081/R/-X	TRANSISTOR
Q2002		2SC4081/QRS/-X	TRANSISTOR
		or 2PC4081/R/-X	TRANSISTOR
		or 2SD1819A/QRS/-X	TRANSISTOR
Q2003		DTA144WU	TRANSISTOR
		or PDTA144WU	TRANSISTOR
		or RN2309	TRANSISTOR
		or UN511E	TRANSISTOR
Q2004		DTC144WU	TRANSISTOR
		or PDTC144WU	TRANSISTOR
		or RN1309	TRANSISTOR
		or UN521E	TRANSISTOR
Q2011		DTC144WU	TRANSISTOR
		or PDTC144WU	TRANSISTOR
		or RN1309	TRANSISTOR
		or UN521E	TRANSISTOR
Q2052		2SA1576A/QR/-X	TRANSISTOR
		or 2SB1218A/QR/-X	TRANSISTOR
		or 2PA1576/R/-X	TRANSISTOR
Q2053		DTC144WU	TRANSISTOR
		or PDTC144WU	TRANSISTOR
		or RN1309	TRANSISTOR
		or UN521E	TRANSISTOR
Q2054		2SA1576A/QR/-X	TRANSISTOR
		or 2SB1218A/QR/-X	TRANSISTOR
		or 2PA1576/R/-X	TRANSISTOR
Q2061		2SC4081/QRS/-X	TRANSISTOR
		or 2PC4081/R/-X	TRANSISTOR
		or 2SD1819A/QRS/-X	TRANSISTOR
Q2062		2SA1576A/QR/-X	TRANSISTOR
		or 2SB1218A/QR/-X	TRANSISTOR
		or 2PA1576/R/-X	TRANSISTOR
Q2102		DTC114EU	TRANSISTOR
		or PDTC114EU	TRANSISTOR
		or RN1302	TRANSISTOR
		or UN5211	TRANSISTOR
Q2103		2SC4081/QRS/-X	TRANSISTOR
		or 2PC4081/R/-X	TRANSISTOR
		or 2SD1819A/QRS/-X	TRANSISTOR
Q2104		DTA144WU	TRANSISTOR
		or PDTA144WU	TRANSISTOR
		or RN2309	TRANSISTOR
		or UN511E	TRANSISTOR
Q2105		DTC144WU	TRANSISTOR
		or PDTC144WU	TRANSISTOR
		or UN521E	TRANSISTOR
		or RN1309	TRANSISTOR
Q2108		2SC4081/QRS/-X	TRANSISTOR
		or 2SD1819A/QRS/-X	TRANSISTOR

#	△	REF No.	PART No.	PART NAME, DESCRIPTION	#	△	REF No.	PART No.	PART NAME, DESCRIPTION
			or 2PC4081/R/-X	TRANSISTOR				or RN2302	TRANSISTOR
		Q2251	DTA144WU	TRANSISTOR				or PDTA114EU	TRANSISTOR
			or PDTA144WU	TRANSISTOR				or DTA114EU	TRANSISTOR
			or RN2309	TRANSISTOR		Q5306	2SB1239		TRANSISTOR
			or UN511E	TRANSISTOR		Q5310	DTC114EU		TRANSISTOR
		Q2252	DTC114EU	TRANSISTOR			or PDTC114EU		TRANSISTOR
			or PDTC114EU	TRANSISTOR			or UN5211		TRANSISTOR
			or RN1302	TRANSISTOR			or RN1302		TRANSISTOR
			or UN5211	TRANSISTOR		Q5311	2SA1576A/RS/-X		TRANSISTOR
		Q2501	2SC4081/QRS/-X	TRANSISTOR		Q5312	2SD2144S/UV/-T		TRANSISTOR
			or 2PC4081/R/-X	TRANSISTOR		Q5318	DTA114EU		TRANSISTOR
			or 2SD1819A/QRS/-X	TRANSISTOR			or PDTA114EU		TRANSISTOR
		Q2502	DTC144WU	TRANSISTOR			or RN2302		TRANSISTOR
			or RN1309	TRANSISTOR			or UN5111		TRANSISTOR
			or UN521E	TRANSISTOR		Q5320	2SB1256		TRANSISTOR
			or PDTC144WU	TRANSISTOR		Q5321	DTC114TU		TRANSISTOR
		Q3001	2SD1819A/QRS/-X	TRANSISTOR			or PDTC114TU		TRANSISTOR
			or 2SC4081/QRS/-X	TRANSISTOR			or RN1311		TRANSISTOR
			or 2PC4081/R/-X	TRANSISTOR			or UN5215		TRANSISTOR
		Q3002	PTZ-NV16	PHOTO TRANSISTOR		Q5322	DTA114EU		TRANSISTOR
			or PTZ-NV16A	PHOTO TRANSISTOR			or PDTA114EU		TRANSISTOR
		Q3003	PTZ-NV16	PHOTO TRANSISTOR			or RN2302		TRANSISTOR
			or PTZ-NV16A	PHOTO TRANSISTOR			or UN5111		TRANSISTOR
		Q3004	2SD1819A/QRS/-X	TRANSISTOR		Q6030	2SB1218A/QR/-X		TRANSISTOR
			or 2PC4081/R/-X	TRANSISTOR			or 2SA1576A/QR/-X		TRANSISTOR
			or 2SC4081/QRS/-X	TRANSISTOR			or 2PA1576/R/-X		TRANSISTOR
		Q3005	2SD1819A/QRS/-X	TRANSISTOR		Q6031	DTC114EU		TRANSISTOR
			or 2SC4081/QRS/-X	TRANSISTOR			or PDTC114EU		TRANSISTOR
			or 2PC4081/R/-X	TRANSISTOR			or UN5211		TRANSISTOR
		Q3007	UN521E	TRANSISTOR			or RN1302		TRANSISTOR
			or RN1309	TRANSISTOR		Q6032	DTC114EU		TRANSISTOR
			or DTC144WU	TRANSISTOR			or PDTC114EU		TRANSISTOR
			or PDTC144WU	TRANSISTOR			or UN5211		TRANSISTOR
		Q3009	UN521E	TRANSISTOR			or RN1302		TRANSISTOR
			or RN1309	TRANSISTOR		Q7201	2SC1317/RS/-T		TRANSISTOR
			or DTC144WU	TRANSISTOR		D3	NRSA02J-0R0X		MG RESISTOR
			or PDTC144WU	TRANSISTOR		D6	MTZJ5.1C		ZENER DIODE
		Q3501	2SD1819A/QRS/-X	TRANSISTOR		D2001	1SS355		DIODE
			or 2SC4081/QRS/-X	TRANSISTOR		D2121	MTZJ8.2C		ZENER DIODE
			or 2PC4081/R/-X	TRANSISTOR		D2201	11ES2		DIODE
		Q4001	UN5211	TRANSISTOR			or 1A3G		DIODE
			or PDTC114EU	TRANSISTOR		D2501	1SS133		DIODE
			or DTC114EU	TRANSISTOR		D3001	LNB2301L01VI		LE DIODE
			or RN1302	TRANSISTOR		D3002	1SS133		DIODE
		Q4002	UN5211	TRANSISTOR		D3003	RD39ES/B3/-T2		ZENER DIODE
			or PDTC114EU	TRANSISTOR			or MTZJ39C		ZENER DIODE
			or RN1302	TRANSISTOR		D3004	11E2-T5		DIODE
			or DTC114EU	TRANSISTOR		D3005	11E2-T5		DIODE
		Q4003	UN5211	TRANSISTOR		D3007	1SS355		DIODE
			or PDTC114EU	TRANSISTOR		D3008	1SS355		DIODE
			or DTC114EU	TRANSISTOR		D4001	1SS355		DIODE
			or RN1302	TRANSISTOR		D4002	1SS355		DIODE
		Q5301	2SB1256	TRANSISTOR		D5001	S1WB/A/60-4102		BRIDGE DIODE
		Q5302	DTC114TU	TRANSISTOR			or S1WB(A)60F4072X		BRIDGE DIODE
			or PDTC114TU	TRANSISTOR			or S1WB/A/60-X		BRIDGE DIODE
			or UN5215	TRANSISTOR		D5101	AU01		FR DIODE
			or RN1311	TRANSISTOR			or ERA18-04-T2		FR DIODE
		△ Q5303	2SD2144S/UVW/-T	TRANSISTOR			or 1SR153-400-T2		FR DIODE
		Q5304	2SD1450/ST/-T	TRANSISTOR			or 10ELS4		FR DIODE
			or 2SD1302/ST/-T	TRANSISTOR		D5102	AU01		FR DIODE
		Q5305	UN5111	TRANSISTOR			or ERA18-04-T2		FR DIODE

#	△ REF No.	PART No.	PART NAME, DESCRIPTION	#	△ REF No.	PART No.	PART NAME, DESCRIPTION
		or 10ELS4	FR DIODE	D6002		HZ30-2L-T2	ZENER DIODE
		or 1SR153-400-T2	FR DIODE			or HZ30-2LTD	Z DIODE (M)
D5103		AU01Z	FR DIODE	R1		NRSA02J-682X	MG RESISTOR 6.8kΩ,1/10W
		or ERA18-02-T2	FR DIODE	R2		NRSA02J-152X	MG RESISTOR 1.5kΩ,1/10W
		or PG104RS	FR DIODE	R5		NRSA02J-0R0X	MG RESISTOR 0Ω,1/10W
		or 10ELS2	FR DIODE	R6		NRSA02J-273X	MG RESISTOR 27kΩ,1/10W
		or 1SR153-400-T2	FR DIODE	R7		NRSA02J-681X	MG RESISTOR 680Ω,1/10W
D5201		AK04	DIODE	R8		NRSA02J-0R0X	MG RESISTOR 0Ω,1/10W
		or 1S4	SB DIODE	R9		NRSA02J-0R0X	MG RESISTOR 0Ω,1/10W
		or 11EQS04	SB DIODE	R23		NRSA02J-182X	MG RESISTOR 1.8kΩ,1/10W
D5202		FML-12S	FR DIODE	R24		NRSA02J-331X	MG RESISTOR 330Ω,1/10W
		or FCF06A20	FR DIODE	R25		NRSA02J-103X	MG RESISTOR 10kΩ,1/10W
		or YG901C2	FR DIODE	R26		NRSA02J-682X	MG RESISTOR 6.8kΩ,1/10W
		or SF5LC20U	FR DIODE	R27		NRSA02J-221X	MG RESISTOR 220Ω,1/10W
D5206		FMB-24	BARRIER DIODE	R28		NRSA02J-221X	MG RESISTOR 220Ω,1/10W
		or FSQ05A04B	SB DIODE	R29		NRSA02J-681X	MG RESISTOR 680Ω,1/10W
		or YG801C04	SB DIODE	R30		NRSA02J-0R0X	MG RESISTOR 0Ω,1/10W
		or SB640FCT	SB DIODE	R31		NRSA02J-152X	MG RESISTOR 1.5kΩ,1/10W
		or SF5SC4	SB DIODE	R32		NRSA02J-471X	MG RESISTOR 470Ω,1/10W
D5209		ERA18-02-T2	FR DIODE	R33		NDC21HJ-8R0X	CAPACITOR 8pF,50V
		or PG104RS	FR DIODE	R34		NDC21HJ-390X	CAPACITOR 39pF,50V
		or 10ELS2	FR DIODE	R36		NRSA02J-182X	MG RESISTOR 1.8kΩ,1/10W
		or 1SR153-400-T2	FR DIODE	R38		NRSA02J-102X	MG RESISTOR 1kΩ,1/10W
D5210		AU01Z	FR DIODE	R40		NRSA02J-222X	MG RESISTOR 2.2kΩ,1/10W
		or ERA18-02-T2	FR DIODE	R41		NRSA02J-392X	MG RESISTOR 3.9kΩ,1/10W
		or 10ELS2	FR DIODE	R42		NRSA02J-681X	MG RESISTOR 680Ω,1/10W
		or PG104RS	FR DIODE	R46		NRSA02J-271X	MG RESISTOR 270Ω,1/10W
		or 1SR153-400-T2	FR DIODE	R48		NRSA02J-102X	MG RESISTOR 1kΩ,1/10W
D5211		AU01Z	FR DIODE	R51		NRSA02J-122X	MG RESISTOR 1.2kΩ,1/10W
		or ERA18-02-T2	FR DIODE	R54		NRSA02J-152X	MG RESISTOR 1.5kΩ,1/10W
		or 1SR153-400-T2	FR DIODE	R62		NRSA02J-101X	MG RESISTOR 100Ω,1/10W
		or 10ELS2	FR DIODE	R68		NRSA02J-222X	MG RESISTOR 2.2kΩ,1/10W
		or PG104RS	FR DIODE	R70		NRSA02J-0R0X	MG RESISTOR 0Ω,1/10W
D5214		ERA18-02-T2	FR DIODE	R77		NRSA02J-103X	MG RESISTOR 10kΩ,1/10W
		or 1SR153-400-T2	FR DIODE	R84		NRSA02J-103X	MG RESISTOR 10kΩ,1/10W
		or 10ELS2	FR DIODE	R88		NRSA02J-0R0X	MG RESISTOR 0Ω,1/10W
		or PG104RS	FR DIODE	R90		NRSA02J-391X	MG RESISTOR 390Ω,1/10W
D5301		MTZJ15A	ZENER DIODE	R92		NRSA02J-152X	MG RESISTOR 1.5kΩ,1/10W
		or RD15ES/B1/-T2	ZENER DIODE	R93		NRSA02J-222X	MG RESISTOR 2.2kΩ,1/10W
D5302		MTZJ6.8A	ZENER DIODE	R104		NRSA02J-682X	MG RESISTOR 6.8kΩ,1/10W
		or RD6.8ES/B1/-T2	ZENER DIODE	R113		NRSA02J-101X	MG RESISTOR 100Ω,1/10W
D5303		MTZJ27C	ZENER DIODE	R114		NRSA02J-0R0X	MG RESISTOR 0Ω,1/10W
		or RD27ES/B3/-T2	ZENER DIODE	R117		NRSA02J-104X	MG RESISTOR 100kΩ,1/10W
D5304		1SS133	DIODE	R401		NRSA02J-221X	MG RESISTOR 220Ω,1/10W
		or 1SS270A	DIODE	R402		NRSA02J-681X	MG RESISTOR 680Ω,1/10W
D5305		11ES2	DIODE	R403		NRSA02J-561X	MG RESISTOR 560Ω,1/10W
		or 1A3G	DIODE	R404		NRSA02J-473X	MG RESISTOR 47kΩ,1/10W
		or ERA15-02-T2	DIODE	R405		NRSA02J-683X	MG RESISTOR 68kΩ,1/10W
D5306		MTZJ12A	ZENER DIODE	R406		NRSA02J-393X	MG RESISTOR 39kΩ,1/10W
		or RD12ES/B1/-T2	ZENER DIODE	R407		NRSA02J-472X	MG RESISTOR 4.7kΩ,1/10W
D5307		1SS133	DIODE	R408		NRSA02J-473X	MG RESISTOR 47kΩ,1/10W
		or 1SS270A	DIODE	R409		NRSA02J-103X	MG RESISTOR 10kΩ,1/10W
D5308		1SS133	DIODE	R2001		NRSA02J-681X	MG RESISTOR 680Ω,1/10W
		or 1SS270A	DIODE	R2002		NRSA02J-272X	MG RESISTOR 2.7kΩ,1/10W
D5309		1SS133	DIODE	R2003		QRE141J-101Y	RESISTOR 100Ω,1/4W
		or 1SS270A	DIODE	R2005		QRE141J-0R0Y	RESISTOR 0Ω,1/4W
D5310		MTZJ11C	ZENER DIODE	R2006		QRE141J-393Y	RESISTOR 39kΩ,1/4W
		or RD11ES/B3/-T2	ZENER DIODE	R2007		NRSA02J-393X	MG RESISTOR 39kΩ,1/10W
D5315		11ES2	DIODE	R2008		NRSA02J-123X	MG RESISTOR 12kΩ,1/10W
		or ERA15-02-T2	DIODE	R2009		NRSA02J-123X	MG RESISTOR 12kΩ,1/10W
		or 1A3G	DIODE	R2010		NRSA02J-123X	MG RESISTOR 12kΩ,1/10W



#	△	REF No.	PART No.	PART NAME, DESCRIPTION	#	△	REF No.	PART No.	PART NAME, DESCRIPTION
R2011			NRSA02J-103X	MG RESISTOR	R2507			NRSA02J-102X	MG RESISTOR
R2012			NRSA02J-153X	MG RESISTOR	R2508			NRSA02J-333X	MG RESISTOR
R2013			NRSA02J-682X	MG RESISTOR	R2509			NRSA02J-103X	MG RESISTOR
R2014			NRSA02J-224X	MG RESISTOR	R2510			NRSA02J-104X	MG RESISTOR
R2015			NRSA02J-271X	MG RESISTOR	R2511			NRSA02J-124X	MG RESISTOR
R2016			NRSA02J-393X	MG RESISTOR	R2512			NRSA02J-102X	MG RESISTOR
R2017			NRSA02J-183X	MG RESISTOR	R2513			NRSA02J-102X	MG RESISTOR
R2018			NRSA02J-472X	MG RESISTOR	R2514			NRSA02J-562X	MG RESISTOR
R2019			NRSA02J-472X	MG RESISTOR	R2519			NRSA02J-102X	MG RESISTOR
R2020			NRSA02J-102X	MG RESISTOR	R2520			NRSA02J-101X	MG RESISTOR
R2053			NRSA02J-472X	MG RESISTOR	R2522			NRSA02J-682X	MG RESISTOR
R2056			NRSA02J-101X	MG RESISTOR	R3011			QRE141J-0R0Y	RESISTOR
R2057			NRSA02J-473X	MG RESISTOR	R3012			NRSA02J-0R0X	MG RESISTOR
R2058			NRSA02J-183X	MG RESISTOR	R3013			NRSA02J-0R0X	MG RESISTOR
R2059			NRSA02J-473X	MG RESISTOR	R3016			QRE141J-0R0Y	RESISTOR
R2060			NRSA02J-183X	MG RESISTOR	R3017			QRE141J-0R0Y	RESISTOR
R2061			NRSA02J-273X	MG RESISTOR	R3018			QRE141J-682Y	RESISTOR
R2062			NRSA02J-3R3X	MG RESISTOR	R3019			QRE141J-0R0Y	RESISTOR
R2063			NRSA02J-151X	MG RESISTOR	R3022			NRSA02J-0R0X	MG RESISTOR
R2064			NRSA02J-473X	MG RESISTOR	R3025			NRSA02J-0R0X	MG RESISTOR
R2065			NRSA02J-183X	MG RESISTOR	R3026			NRSA02J-0R0X	MG RESISTOR
R2102			NRSA02J-471X	MG RESISTOR	R3027			NRSA02J-0R0X	MG RESISTOR
R2103			NRSA02J-472X	MG RESISTOR	R3029			NRSA02J-472X	MG RESISTOR
R2104			NRSA02J-472X	MG RESISTOR	R3030			NRSA02J-472X	MG RESISTOR
R2105			NRSA02J-103X	MG RESISTOR	R3031			NRSA02J-0R0X	MG RESISTOR
R2106			NRSA02J-681X	MG RESISTOR	R3032			NRSA02J-0R0X	MG RESISTOR
R2107			NRSA02J-122X	MG RESISTOR	R3038			NRSA02J-152X	MG RESISTOR
R2109			NRSA02J-103X	MG RESISTOR	R3040			NRSA02J-0R0X	MG RESISTOR
R2111			NRSA02J-222X	MG RESISTOR	R3041			NRSA02J-472X	MG RESISTOR
R2121			QRE141J-151Y	RESISTOR	R3042			NRSA02J-0R0X	MG RESISTOR
R2202			NRSA02J-222X	MG RESISTOR	R3044			QRE141J-0R0Y	RESISTOR
R2203			NRSA02J-222X	MG RESISTOR	R3046			QRE141J-102Y	RESISTOR
R2204			NRSA02J-102X	MG RESISTOR	R3047			QRE141J-102Y	RESISTOR
R2205			NRSA02J-102X	MG RESISTOR	R3048			QRE141J-102Y	RESISTOR
R2206			QRE141J-101Y	RESISTOR	R3049			NRSA02J-0R0X	MG RESISTOR
R2208			QRE141J-101Y	RESISTOR	R3050			NRSA02J-0R0X	MG RESISTOR
R2209			QRE141J-101Y	RESISTOR	R3051			NRSA02J-471X	MG RESISTOR
R2210			NRSA02J-103X	MG RESISTOR	R3052			NRSA02J-471X	MG RESISTOR
R2211			NRSA02J-103X	MG RESISTOR	R3053			NRSA02J-471X	MG RESISTOR
R2213			QRE141J-393Y	RESISTOR	R3054			NRSA02J-0R0X	MG RESISTOR
R2215			NRSA02J-153X	MG RESISTOR	R3055			NRSA02J-0R0X	MG RESISTOR
R2217			NRSA02J-0R0X	MG RESISTOR	R3056			NRSA02J-102X	MG RESISTOR
R2218			NRSA02J-393X	MG RESISTOR	R3057			NRSA02J-102X	MG RESISTOR
R2219			QRE141J-393Y	RESISTOR	R3058			NRSA02J-102X	MG RESISTOR
R2220			QRE141J-393Y	RESISTOR	R3059			NRSA02J-0R0X	MG RESISTOR
R2222			NRSA02J-123X	MG RESISTOR	R3060			NRSA02J-471X	MG RESISTOR
R2223			NRSA02J-123X	MG RESISTOR	R3061			NRSA02J-471X	MG RESISTOR
R2224			NRSA02J-123X	MG RESISTOR	R3062			NRSA02J-0R0X	MG RESISTOR
R2225			NRSA02J-153X	MG RESISTOR	R3063			NRSA02J-472X	MG RESISTOR
R2226			NRSA02J-123X	MG RESISTOR	R3066			NRSA02J-472X	MG RESISTOR
R2227			NRSA02J-123X	MG RESISTOR	R3069			NRSA02J-101X	MG RESISTOR
R2228			NRSA02J-103X	MG RESISTOR	R3071			NRSA02J-103X	MG RESISTOR
R2229			QRE141J-563Y	RESISTOR	R3072			NRSA02J-0R0X	MG RESISTOR
R2251			NRSA02J-102X	MG RESISTOR	R3073			NRSA02J-0R0X	MG RESISTOR
R2252			NRSA02J-472X	MG RESISTOR	R3075			NRSA02J-471X	MG RESISTOR
R2501			NRSA02J-0R0X	MG RESISTOR	R3076			NRSA02J-471X	MG RESISTOR
R2502			NRSA02J-562X	MG RESISTOR	R3078			NRSA02J-0R0X	MG RESISTOR
R2503			NRSA02J-563X	MG RESISTOR	R3083			NRSA02J-0R0X	MG RESISTOR
R2504			NRSA02J-472X	MG RESISTOR	R3085			NRSA02J-0R0X	MG RESISTOR
R2505			NRSA02J-105X	MG RESISTOR	R3086			NRSA02J-0R0X	MG RESISTOR
R2506			NRSA02J-473X	MG RESISTOR	R3087			NRSA02J-0R0X	MG RESISTOR

#	△ REF No.	PART No.	PART NAME, DESCRIPTION	#	△ REF No.	PART No.	PART NAME, DESCRIPTION
R3088		NRSA02J-0R0X	MG RESISTOR 0Ω,1/10W	R4005		NRSA02J-562X	MG RESISTOR 5.6kΩ,1/10W
R3089		NRSA02J-0R0X	MG RESISTOR 0Ω,1/10W	R4007		NRSA02J-102X	MG RESISTOR 1kΩ,1/10W
R3090		NRSA02J-0R0X	MG RESISTOR 0Ω,1/10W	R4008		NRSA02J-102X	MG RESISTOR 1kΩ,1/10W
R3091		NRSA02J-102X	MG RESISTOR 1kΩ,1/10W	R4009		NRSA02J-102X	MG RESISTOR 1kΩ,1/10W
R3094		QRE141J-0R0Y	RESISTOR 0Ω,1/4W	R4010		NRSA02J-103X	MG RESISTOR 10kΩ,1/10W
R3095		QRE141J-0R0Y	RESISTOR 0Ω,1/4W	R4011		NRSA02J-472X	MG RESISTOR 4.7kΩ,1/10W
R3096		QRE141J-0R0Y	RESISTOR 0Ω,1/4W	R4012		NRSA02J-222X	MG RESISTOR 2.2kΩ,1/10W
R3097		NRSA02J-0R0X	MG RESISTOR 0Ω,1/10W	R4013		NRSA02J-102X	MG RESISTOR 1kΩ,1/10W
R3103		NRSA02J-0R0X	MG RESISTOR 0Ω,1/10W	R4014		NRSA02J-0R0X	MG RESISTOR 0Ω,1/10W
R3105		NRSA02J-102X	MG RESISTOR 1kΩ,1/10W	R4015		NRSA02J-223X	MG RESISTOR 22kΩ,1/10W
R3106		NRSA02J-102X	MG RESISTOR 1kΩ,1/10W	R4016		NRSA02J-103X	MG RESISTOR 10kΩ,1/10W
R3201		NRSA02J-103X	MG RESISTOR 10kΩ,1/10W	R4017		NRSA02J-102X	MG RESISTOR 1kΩ,1/10W
R3202		NRSA02J-472X	MG RESISTOR 4.7kΩ,1/10W	R4018		NRSA02J-102X	MG RESISTOR 1kΩ,1/10W
R3203		NRSA02J-103X	MG RESISTOR 10kΩ,1/10W	R4019		NRSA02J-103X	MG RESISTOR 10kΩ,1/10W
R3204		NRSA02J-222X	MG RESISTOR 2.2kΩ,1/10W	R4020		NRSA02J-103X	MG RESISTOR 10kΩ,1/10W
R3205		QRE141J-181Y	RESISTOR 180Ω,1/4W	R4021		NRSA02J-103X	MG RESISTOR 10kΩ,1/10W
R3206		QRE141J-183Y	RESISTOR 18kΩ,1/4W	R5101		QRG02GJ-104	OMF RESISTOR 100kΩ,2W
R3207		NRSA02J-183X	MG RESISTOR 18kΩ,1/10W	R5102		QRE141J-390Y	RESISTOR 39Ω,1/4W
R3208		NRSA02J-181X	MG RESISTOR 180Ω,1/10W	R5103		NRSA02J-681X	MG RESISTOR 680Ω,1/10W
R3209		NRSA02J-273X	MG RESISTOR 27kΩ,1/10W	R5104		QRG029J-154G	OMF RESISTOR 150kΩ,2W
R3210		NRSA02J-181X	MG RESISTOR 180Ω,1/10W	R5105		QRT01DJ-R39X	MF RESISTOR 0.39Ω,1W
R3211		NRSA02J-273X	MG RESISTOR 27kΩ,1/10W	R5106		NRSA02J-562X	MG RESISTOR 5.6kΩ,1/10W
R3212		NRSA02J-474X	MG RESISTOR 470kΩ,1/10W	R5301		QRE141J-1R0Y	RESISTOR 1Ω,1/4W
R3213		NRSA02J-334X	MG RESISTOR 330kΩ,1/10W	R5302		NRSA02J-102X	MG RESISTOR 1kΩ,1/10W
R3214		NRSA02J-103X	MG RESISTOR 10kΩ,1/10W	R5303		NRSA02J-122X	MG RESISTOR 1.2kΩ,1/10W
R3215		NRSA02J-103X	MG RESISTOR 10kΩ,1/10W	△ R5304		QRZ9005-221X	FUSI RESISTOR 220Ω,1/4W
R3216		NRSA02J-103X	MG RESISTOR 10kΩ,1/10W	R5305		NRSA02J-471X	MG RESISTOR 470Ω,1/10W
R3217		NRSA02J-562X	MG RESISTOR 5.6kΩ,1/10W	R5306		NRSA02J-683X	MG RESISTOR 68kΩ,1/10W
R3218		QRE141J-472Y	RESISTOR 4.7kΩ,1/4W	R5307		NRSA02J-102X	MG RESISTOR 1kΩ,1/10W
R3219		NRSA02J-472X	MG RESISTOR 4.7kΩ,1/10W	R5308		NRSA02J-472X	MG RESISTOR 4.7kΩ,1/10W
R3220		NRSA02J-104X	MG RESISTOR 100kΩ,1/10W	R5309		QRE141J-222Y	RESISTOR 2.2kΩ,1/4W
R3222		NRSA02J-472X	MG RESISTOR 4.7kΩ,1/10W	R5310		NRSA02J-472X	MG RESISTOR 4.7kΩ,1/10W
R3223		NRSA02J-472X	MG RESISTOR 4.7kΩ,1/10W	R5311		NRSA02J-222X	MG RESISTOR 2.2kΩ,1/10W
R3224		NRSA02J-472X	MG RESISTOR 4.7kΩ,1/10W	R5313		QRE141J-222Y	RESISTOR 2.2kΩ,1/4W
R3225		NRSA02J-103X	MG RESISTOR 10kΩ,1/10W	R5314		NRSA02J-102X	MG RESISTOR 1kΩ,1/10W
R3229		NRSA02J-105X	MG RESISTOR 1MΩ,1/10W	R5317		NRSA02J-273X	MG RESISTOR 27kΩ,1/10W
R3230		NRSA02J-472X	MG RESISTOR 4.7kΩ,1/10W	R5318		NRSA02J-273X	MG RESISTOR 27kΩ,1/10W
R3231		NRSA02J-102X	MG RESISTOR 1kΩ,1/10W	R5319		QRE141J-221Y	RESISTOR 220Ω,1/4W
R3233		NRSA02J-103X	MG RESISTOR 10kΩ,1/10W	R5321		QRE141J-221Y	RESISTOR 220Ω,1/4W
R3234		NRSA02J-103X	MG RESISTOR 10kΩ,1/10W	R5322		NRSA02J-473X	MG RESISTOR 47kΩ,1/10W
R3235		NRSA02J-222X	MG RESISTOR 2.2kΩ,1/10W	R5323		NRSA02J-473X	MG RESISTOR 47kΩ,1/10W
R3236		NRSA02J-332X	MG RESISTOR 3.3kΩ,1/10W	R5327		NRVA02D-303X	CMF RESISTOR 30kΩ,1/10W
R3237		NRSA02J-103X	MG RESISTOR 10kΩ,1/10W	R5329		NRSA02J-103X	MG RESISTOR 10kΩ,1/10W
R3238		QRE141J-103Y	RESISTOR 10kΩ,1/4W	R5330		NRSA02J-103X	MG RESISTOR 10kΩ,1/10W
R3239		NRSA02J-103X	MG RESISTOR 10kΩ,1/10W	R5332		NRSA02J-103X	MG RESISTOR 10kΩ,1/10W
R3241		NRSA02J-104X	MG RESISTOR 100kΩ,1/10W	R5334		QRE141J-103Y	RESISTOR 10kΩ,1/4W
R3242		NRSA02J-472X	MG RESISTOR 4.7kΩ,1/10W	R5335		NRSA02J-472X	MG RESISTOR 4.7kΩ,1/10W
R3244		NRSA02J-103X	MG RESISTOR 10kΩ,1/10W	R5336		NRSA02J-222X	MG RESISTOR 2.2kΩ,1/10W
R3251		NRSA02J-103X	MG RESISTOR 10kΩ,1/10W	R6020		NRSA02J-0R0X	MG RESISTOR 0Ω,1/10W
R3501		NRSA02J-153X	MG RESISTOR 15kΩ,1/10W	R6021		NRSA02J-0R0X	MG RESISTOR 0Ω,1/10W
R3502		NRSA02J-272X	MG RESISTOR 2.7kΩ,1/10W	R6022		NRSA02J-0R0X	MG RESISTOR 0Ω,1/10W
R3503		NRSA02J-153X	MG RESISTOR 15kΩ,1/10W	R6030		NRSA02J-102X	MG RESISTOR 1kΩ,1/10W
R3504		NRSA02J-223X	MG RESISTOR 22kΩ,1/10W	R6031		NRSA02J-0R0X	MG RESISTOR 0Ω,1/10W
R3505		NRSA02J-562X	MG RESISTOR 5.6kΩ,1/10W	R6032		NRSA02J-392X	MG RESISTOR 3.9kΩ,1/10W
R3506		NRSA02J-123X	MG RESISTOR 12kΩ,1/10W	R6033		NRSA02J-182X	MG RESISTOR 1.8kΩ,1/10W
R3671		NRSA02J-103X	MG RESISTOR 10kΩ,1/10W	R6050		NRSA02J-101X	MG RESISTOR 100Ω,1/10W
R3672		NRSA02J-103X	MG RESISTOR 10kΩ,1/10W	R6051		NRSA02J-101X	MG RESISTOR 100Ω,1/10W
R3673		NRSA02J-103X	MG RESISTOR 10kΩ,1/10W	R6052		NRSA02J-101X	MG RESISTOR 100Ω,1/10W
R4001		NRSA02J-472X	MG RESISTOR 4.7kΩ,1/10W	R6060		NRSA02J-103X	MG RESISTOR 10kΩ,1/10W
R4003		NRSA02J-561X	MG RESISTOR 560Ω,1/10W	R6061		NRSA02J-103X	MG RESISTOR 10kΩ,1/10W
R4004		NRSA02J-561X	MG RESISTOR 560Ω,1/10W	R6508		NRSA02J-0R0X	MG RESISTOR 0Ω,1/10W

#	△	REF No.	PART No.	PART NAME, DESCRIPTION	#	△	REF No.	PART No.	PART NAME, DESCRIPTION	
R6510			NRSA02J-0R0X	MG RESISTOR	0Ω,1/10W	C103		NCB21HK-103X	CAPACITOR	0.01μF,50V
R6553			QRE141J-471Y	RESISTOR	470Ω,1/4W	C106		NCB21HK-821X	CAPACITOR	820pF,50V
R6554			QRE141J-471Y	RESISTOR	470Ω,1/4W	C108		NDC21HJ-680X	CAPACITOR	68pF,50V
R7202			NRSA02J-221X	MG RESISTOR	220Ω,1/10W	C109		NCB21CK-224X	CAPACITOR	0.22μF,16V
R7203			NRSA02J-472X	MG RESISTOR	4.7kΩ,1/10W	C110		NDC21HJ-820X	CAPACITOR	82pF,50V
R7204			QRE121J-100Y	RESISTOR	10Ω,1/2W	C114		NDC21HJ-181X	CAPACITOR	180pF,50V
R7251			NRSA02J-750X	MG RESISTOR	75Ω,1/10W	C401		NCB21HK-103X	CAPACITOR	0.01μF,50V
R7252			NRSA02J-750X	MG RESISTOR	75Ω,1/10W	C402		NCB21HK-223X	CAPACITOR	0.022μF,50V
R7253			NRSA02J-750X	MG RESISTOR	75Ω,1/10W	C403		NDC21HJ-131X	CAPACITOR	130pF,50V
C1			NCB21EK-104X	CAPACITOR	0.1μF,25V	C404		NDC21HJ-470X	CAPACITOR	47pF,50V
C2			NCB21EK-104X	CAPACITOR	0.1μF,25V	C406		NCB21HK-102X	CAPACITOR	0.001μF,50V
C3			NCB21EK-104X	CAPACITOR	0.1μF,25V	C407		NDC21HJ-150X	CAPACITOR	15pF,50V
C4			NCB21EK-104X	CAPACITOR	0.1μF,25V	C2001		QTE1H44-475Z	E CAPACITOR	4.7μF,50V
C5			QEKCOJM-337	E CAPACITOR	330μF,6.3V	C2002		QEKJ1CM-106	E CAPACITOR	10μF,16V
C6			NCB11EK-104X	CAPACITOR	0.1μF,25V	C2003		QEKJ0JM-476	E CAPACITOR	47μF,6.3V
C7			NCB21HK-102X	CAPACITOR	0.001μF,50V	C2004		NCB21HK-103X	CAPACITOR	0.01μF,50V
C8			NCB21EK-104X	CAPACITOR	0.1μF,25V	C2005		QEKJ1EM-475	E CAPACITOR	4.7μF,25V
C9			QETN1HM-225	E CAPACITOR	2.2μF,50V	C2006		NCB21HK-123X	CAPACITOR	0.012μF,50V
C10			NDC21HJ-151X	CAPACITOR	150pF,50V	C2007		QEKJ1CM-226	E CAPACITOR	22μF,16V
C11			NCB21EK-104X	CAPACITOR	0.1μF,25V	C2008		QERF1EM-475	E CAPACITOR	4.7μF,25V
C14			NCB21EK-104X	CAPACITOR	0.1μF,25V	C2009		NCB21HK-102X	CAPACITOR	0.001μF,50V
C15			NCB21EK-103X	CAPACITOR	0.01μF,25V	C2010		NCB21HK-152X	CAPACITOR	0.0015μF,50V
C16			NCB11EK-104X	CAPACITOR	0.1μF,25V	C2011		QEKJ1EM-475	E CAPACITOR	4.7μF,25V
C17			QEKJ1HM-335	E CAPACITOR	3.3μF,50V	C2012		QEKJ1EM-475	E CAPACITOR	4.7μF,25V
C18			QEKJ1HM-105	E CAPACITOR	1μF,50V	C2013		NCB21HK-331X	CAPACITOR	330pF,50V
C19			QEKJ1HM-225	E CAPACITOR	2.2μF,50V	C2021		NCB21HK-682X	CAPACITOR	0.0068μF,50V
C20			QEKJ1HM-105	E CAPACITOR	1μF,50V	C2051		NCB21HK-331X	CAPACITOR	330pF,50V
C21			NCB21EK-104X	CAPACITOR	0.1μF,25V	C2061		QFLC1HJ-333Z	F CAPACITOR	0.033μF,50V
C22			QEKJ0JM-227	E CAPACITOR	220μF,6.3V	C2062		NCB21HK-332X	CAPACITOR	0.0033μF,50V
C23			NCB21EK-104X	CAPACITOR	0.1μF,25V	C2063		NCB21HK-103X	CAPACITOR	0.01μF,50V
C24			NCB21EK-104X	CAPACITOR	0.1μF,25V	C2064		QEKJ1CM-106	E CAPACITOR	10μF,16V
C25			NDC21HJ-6R0X	CAPACITOR	6pF,50V	C2101		QEKJ1CM-106	E CAPACITOR	10μF,16V
C26			NCB21EK-104X	CAPACITOR	0.1μF,25V	C2102		QEKJ1CM-106	E CAPACITOR	10μF,16V
C27			NCB21HK-223X	CAPACITOR	0.022μF,50V	C2104		NCB21CK-104X	CAPACITOR	0.1μF,16V
C28			QEKJ1HM-335	E CAPACITOR	3.3μF,50V	C2202		NCB21EK-333X	CAPACITOR	0.033μF,25V
C29			NCB21EK-333X	CAPACITOR	0.033μF,25V	C2203		QEKJ1CM-106	E CAPACITOR	10μF,16V
C30			NCB21CK-474X	CAPACITOR	0.47μF,16V	C2204		QDGB1HK-102Y	CAPACITOR	0.001μF,50V
C31			QEKJ0JM-107	E CAPACITOR	100μF,6.3V	C2205		QEKJ1HM-105	E CAPACITOR	1μF,50V
C32			QCB1HK-103	CAPACITOR	0.01μF,50V	C2206		QEKJ1CM-106	E CAPACITOR	10μF,16V
C33			QEKJ1HM-225	E CAPACITOR	2.2μF,50V	C2207		QTE1E41-476	E CAPACITOR	47μF,25V
C34			NCB21EK-104X	CAPACITOR	0.1μF,25V	C2208		QTE1H44-475Z	E CAPACITOR	4.7μF,50V
C35			NCB21HK-103X	CAPACITOR	0.01μF,50V	C2209		QERF1HM-104	E CAPACITOR	0.1μF,50V
C36			QEKJ1EM-475	E CAPACITOR	4.7μF,25V	C2210		QEKJ1HM-104	E CAPACITOR	0.1μF,50V
C37			NCB21AK-105X	CAPACITOR	1μF,10V	C2211		QERF1HM-105	E CAPACITOR	1μF,50V
C38			QEKJ0JM-337	E CAPACITOR	330μF,6.3V	C2212		QEKJ1HM-105	E CAPACITOR	1μF,50V
C39			NCB21EK-104X	CAPACITOR	0.1μF,25V	C2213		QEKJ1CM-106	E CAPACITOR	10μF,16V
C40			QEKJ1CM-106	E CAPACITOR	10μF,16V	C2214		QEKJ1CM-106	E CAPACITOR	10μF,16V
C45			QCFB1HZ-104	CAPACITOR	0.1μF,50V	C2215		QERF1EM-475	E CAPACITOR	4.7μF,25V
C53			NDC21HJ-101X	CAPACITOR	100pF,50V	C2216		QEKJ1HM-474	E CAPACITOR	0.47μF,50V
C59			NCB21EK-104X	CAPACITOR	0.1μF,25V	C2217		QEKJ1CM-106	E CAPACITOR	10μF,16V
C60			QEKJ0JM-227	E CAPACITOR	220μF,6.3V	C2218		QEKJ1HM-474	E CAPACITOR	0.47μF,50V
C61			NCB21HK-103X	CAPACITOR	0.01μF,50V	C2219		QEKJ1CM-106	E CAPACITOR	10μF,16V
C63			NCB21EK-104X	CAPACITOR	0.1μF,25V	C2220		QEKJ1EM-475	E CAPACITOR	4.7μF,25V
C64			NDC21HJ-220X	CAPACITOR	22pF,50V	C2221		NCB21HK-103X	CAPACITOR	0.01μF,50V
C65			QEKJ1HM-105	E CAPACITOR	1μF,50V	C2222		QEKJ1HM-474	E CAPACITOR	0.47μF,50V
C72			NDC21HJ-470X	CAPACITOR	47pF,50V	C2223		QEKJ1HM-474	E CAPACITOR	0.47μF,50V
C73			NDC21HJ-120X	CAPACITOR	12pF,50V	C2224		NCB21HK-103X	CAPACITOR	0.01μF,50V
C80			NCB21HK-103X	CAPACITOR	0.01μF,50V	C2225		QEKJ1EM-475	E CAPACITOR	4.7μF,25V
C84			NRSA02J-682X	MG RESISTOR	6.8kΩ,1/10W	C2226		QEKJ1CM-106	E CAPACITOR	10μF,16V
C93			NDC21HJ-220X	CAPACITOR	22pF,50V	C2227		NCB21CK-104X	CAPACITOR	0.1μF,16V
C94			NRSA02J-0R0X	MG RESISTOR	0Ω,1/10W	C2228		NCB21CK-104X	CAPACITOR	0.1μF,16V

#	△ REF No.	PART No.	PART NAME, DESCRIPTION	#	△ REF No.	PART No.	PART NAME, DESCRIPTION	
C2229		NDC21HJ-101X	CAPACITOR	100pF,50V	C4015	NDC21HJ-331X	CAPACITOR	330pF,50V
C2230		NDC21HJ-101X	CAPACITOR	100pF,50V	C4016	NDC21HJ-681X	CAPACITOR	680pF,50V
C2251		QEKJ1CM-476	E CAPACITOR	47μF,16V	C4017	NCB21HK-222X	CAPACITOR	0.0022μF,50V
C2252		NCB21HK-103X	CAPACITOR	0.01μF,50V	△ C5001	QFZ9073-683	F CAPACITOR	0.068μF,250V
C2253		NCB21CK-104X	CAPACITOR	0.1μF,16V	△ C5002	QFZ9051-333	F CAPACITOR	0.033μF,250V
C2254		NCB21CK-104X	CAPACITOR	0.1μF,16V	△ C5004	QCZ9071-222	CAPACITOR	0.0022μF,250V
C2255		NDC21HJ-181X	CAPACITOR	180pF,50V	C5006	QEZO375-686	E CAPACITOR	68μF,400V
C2501		QERF0JM-107	E CAPACITOR	100μF,6.3V	C5101	QCZ0212-472	CAPACITOR	0.0047μF,1kV
C2502		NCB21HK-562X	CAPACITOR	0.0056μF,50V	C5102	QEMU1VM-276	E CAPACITOR	27μF,35V
C2503		QERF1HM-105	E CAPACITOR	1μF,50V	C5103	QCZ0302-330Z	CAPACITOR	33pF,1kV
C2505		QEKJ0JM-107	E CAPACITOR	100μF,6.3V	C5104	QFLC1HJ-471Z	F CAPACITOR	470pF,50V
C2506		NCB21HK-103X	CAPACITOR	0.01μF,50V	C5201	QEMU0JM-227	E CAPACITOR	220μF,6.3V
C2507		QERF1CM-226	E CAPACITOR	22μF,16V	C5202	QEMT1CM-827	E CAPACITOR	820μF,16V
C2508		NCB21HK-103X	CAPACITOR	0.01μF,50V	C5203	QEMT1AM-228	E CAPACITOR	2200μF,10V
C2509		QERF1CM-106	E CAPACITOR	10μF,16V	C5204	QETN2AM-475	E CAPACITOR	4.7μF,100V
C2510		QEKJ1CM-476	E CAPACITOR	47μF,16V	C5205	QETN1HM-106	E CAPACITOR	10μF,50V
C2511		NCB21HK-222X	CAPACITOR	0.0022μF,50V	C5206	QEMU1EM-187	E CAPACITOR	180μF,25V
C2512		NDC21HJ-331X	CAPACITOR	330pF,50V	C5207	QETN1CM-227	E CAPACITOR	220μF,16V
C2513		NCB21HK-103X	CAPACITOR	0.01μF,50V	C5208	QETN1AM-227	E CAPACITOR	220μF,10V
C2518		NCB21HK-102X	CAPACITOR	0.001μF,50V	C5212	QEMU1VM-127	E CAPACITOR	120μF,35V
C2519		NCB21HK-103X	CAPACITOR	0.01μF,50V	C5213	QEMU0JM-227	E CAPACITOR	220μF,6.3V
C2520		NCB21HK-103X	CAPACITOR	0.01μF,50V	C5301	QETM0JM-108	E CAPACITOR	1000μF,6.3V
C3001		NCB21EK-104X	CAPACITOR	0.1μF,25V	C5303	QETN1CM-107	E CAPACITOR	100μF,16V
C3002		NCB21HK-103X	CAPACITOR	0.01μF,50V	C5304	QFVF1HJ-274Z	F CAPACITOR	0.27μF,50V
C3003		QEKJ1CM-106	E CAPACITOR	10μF,16V	C5305	NCB21HK-103X	CAPACITOR	0.01μF,50V
C3004		NCB21EK-104X	CAPACITOR	0.1μF,25V	C5306	QEKJ0JM-107	E CAPACITOR	100μF,6.3V
C3008		NCB21HK-102X	CAPACITOR	0.001μF,50V	C5307	QEKJ0JM-476	E CAPACITOR	47μF,6.3V
C3010		QEZO244-229	EDL CAPACITOR	0.0022F,5.5V	C5308	QETN1CM-107	E CAPACITOR	100μF,16V
C3012		QEKJ0JM-107	E CAPACITOR	100μF,6.3V	C5309	QETN1CM-107	E CAPACITOR	100μF,16V
C3015		NCB21EK-104X	CAPACITOR	0.1μF,25V	C6006	NCB21HK-103X	CAPACITOR	0.01μF,50V
C3016		NCB21EK-104X	CAPACITOR	0.1μF,25V	C6007	QEMU0JM-227	E CAPACITOR	220μF,6.3V
C3022		NCB21EK-104X	CAPACITOR	0.1μF,25V	C6008	NCB21HK-103X	CAPACITOR	0.01μF,50V
C3024		NDC21HJ-220X	CAPACITOR	22pF,50V	C6012	QEKJ1CM-107	E CAPACITOR	100μF,16V
C3025		QAT3725-300Z	TRIM CAPACITOR,TIMER CLOCK		C6013	NCB21HK-103X	CAPACITOR	0.01μF,50V
C3026		NCB21HK-103X	CAPACITOR	0.01μF,50V	C6014	NCB21HK-103X	CAPACITOR	0.01μF,50V
C3027		NBE20JM-106X	T CAPACITOR	10μF,6.3V	C6016	NCB21HK-103X	CAPACITOR	0.01μF,50V
C3030		NBE20JM-226X	T CAPACITOR	22μF,6.3V	C6023	NCB21HK-103X	CAPACITOR	0.01μF,50V
C3031		NCB21EK-104X	CAPACITOR	0.1μF,25V	C6032	NCF21EZ-473X	CAPACITOR	0.047μF,25V
C3032		NCB21EK-104X	CAPACITOR	0.1μF,25V	C6033	NRSA02J-0R0X	MG RESISTOR	0Ω,1/10W
C3033		NCB21EK-104X	CAPACITOR	0.1μF,25V	C6037	NBE20JM-106X	T CAPACITOR	10μF,6.3V
C3036		NDC21HJ-180X	CAPACITOR	18pF,50V	C6055	NDC21HJ-220X	CAPACITOR	22pF,50V
C3037		NDC21HJ-120X	CAPACITOR	12pF,50V	C6555	NDC21HJ-1R0X	CAPACITOR	1pF,50V
C3040		QDYB1CM-103Y	CAPACITOR	0.01μF,16V	C7202	QETJ0JM-477	E CAPACITOR	470μF,6.3V
C3042		QETJ0JM-477	E CAPACITOR	470μF,6.3V	C7251	NRSA02J-0R0X	MG RESISTOR	0Ω,1/10W
C3501		NCB21EK-104X	CAPACITOR	0.1μF,25V	L1	QQL29BJ-100Z	COIL	10μH
C3502		QEKJ1CM-106	E CAPACITOR	10μF,16V	L3	QQL29BJ-100Z	COIL	10μH
C3503		NCB21HK-103X	CAPACITOR	0.01μF,50V	L4	QQL29BJ-100Z	COIL	10μH
C3602		NCB21EK-104X	CAPACITOR	0.1μF,25V	L5	QQR0657-019Z	NOISE FILTER	
C3652		NCB21EK-104X	CAPACITOR	0.1μF,25V	L12	QQR0967-001	COIL	12μH
C4002		NCB21EK-104X	CAPACITOR	0.1μF,25V	L13	QQL071J-330Y	COIL	33μH
C4003		NCB21HK-102X	CAPACITOR	0.001μF,50V	L15	QQL29BJ-100Z	COIL	10μH
C4004		NBE20JM-226X	T CAPACITOR	22μF,6.3V	L17	QQL071J-5R6Y	COIL	5.6μH
C4006		NBE40JM-476X	T CAPACITOR	47μF,6.3V	L18	QQL071J-220Y	COIL	22μH
C4007		NCB21HK-102X	CAPACITOR	0.001μF,50V	L19	QQL071J-120Y	COIL	12μH
C4008		NCB21AK-105X	CAPACITOR	1μF,10V	L20	QQL071J-680Y	COIL	68μH
C4009		NCB21HK-563X	CAPACITOR	0.056μF,50V	L24	QQL071J-270Y	COIL	27μH
C4010		NCB21EK-223X	CAPACITOR	0.022μF,25V	L27	QQL071J-330Y	COIL	33μH
C4011		NCB21EK-104X	CAPACITOR	0.1μF,25V	L28	QQL071J-680Y	COIL	68μH
C4012		NCB21EK-224X	CAPACITOR	0.22μF,25V	L401	QQL071J-150Y	COIL	15μH
C4013		NCB21HK-563X	CAPACITOR	0.056μF,50V	L2251	QQL29BJ-100Z	COIL	10μH
C4014		NDC21HJ-101X	CAPACITOR	100pF,50V	L2252	QQL29BJ-151Z	COIL	150μH

#	△	REF No.	PART No.	PART NAME, DESCRIPTION		#	△	REF No.	PART No.	PART NAME, DESCRIPTION	
		L2501	QQL29BJ-2R2Z	COIL	2.2μH			CN3004	QGB2534J2-04	CONNECTOR,(1-4)ROTARY ENCODER	
		L5201	PELN1184	COIL	33μH			CN3011	QGF1207C1-14	FPC CONNECTOR,(1-14)FRONT	
		L5202	PU60944-330K	COIL	33μH			CN3501	QGB2011L2-06	CONNECTOR,(1-6)DD MDA	
		L6002	QQL29BJ-100Z	COIL	10μH		△	CN5001	QGA7901C3-02	CONNECTOR,(1-2)AC IN	
		L6004	QQL29BJ-100Z	COIL	10μH		△	CP4001	ICP-N25	CIRCUIT PROTECTOR	
		L6005	QQL29BJ-100Z	COIL	10μH		△	CP5301	ICP-N38	CIRCUIT PROTECTOR	
		L6031	NRSA02J-0R0X	MG RESISTOR	0Ω,1/10W		△	CP5302	ICP-N25	CIRCUIT PROTECTOR	
		L7201	QQL01BJ-101Z	COIL	100μH		△	F5001	QMF51E2-2R0J1	FUSE	T2.0A,AC250V
		LPF2501	PELN1137	LOW PASS FILTER							
		CF2501	QAX0399-001Z	RESONATOR							
		LC2501	QQL29BJ-100Z	COIL	10μH						
		X1	QAX0576-001	CRYSTAL RESONATOR							
		X2	QCBB1HK-103	CAPACITOR	0.01μF,50V						
		X3001	QAX0445-001	CRYSTAL RESONATOR							
		X3002	QAX0527-001	CRYSTAL RESONATOR							
		S3002	QSW0695-001	PUSH SWITCH,S CASS SW							
		K2251	NRSA02J-0R0X	MG RESISTOR	0Ω,1/10W			PW1	LPA10105-01C	3D DIGITAL/2M BOARD ASSY	
		K2252	NRSA02J-0R0X	MG RESISTOR	0Ω,1/10W			IC1401	JCP8026	IC	
		K2253	NRSA02J-0R0X	MG RESISTOR	0Ω,1/10W			Q1401	2SC1317/RS/-T	TRANSISTOR	
		K5101	QQR0678-001Z	FERRITE BEAD				Q1402	2SA1576A/QR/-X	TRANSISTOR	
		K5102	QQR0678-001Z	FERRITE BEAD					or 2PA1576/R/-X	TRANSISTOR	
		K5201	QQR0678-001Z	FERRITE BEAD				Q1403	2SA1576A/QR/-X	TRANSISTOR	
		PC3001	GP3S123	IC(PHOTO SENSOR)					or 2PA1576/R/-X	TRANSISTOR	
		PC3002	GP3S123	IC(PHOTO SENSOR)				Q1404	DTC144WU	TRANSISTOR	
△		PC5101	PC123F2	PH COUPLER					or RN1309	TRANSISTOR	
		T2052	PELN0861	OSC TRANSFORMER					or UN521E	TRANSISTOR	
△		T5001	QQS0057-001	SW TRANSFORMER				Q1406	2SA1576A/QR/-X	TRANSISTOR	
		TU6001	QAU0151-001	TUNER					or 2PA1576/R/-X	TRANSISTOR	
		ET1	PQ21623-1-5	EARTH PLATE(RF)				Q1407	2SA1576A/QR/-X	TRANSISTOR	
		ET2	LP40658-001B	EARTH PLATE(1)					or 2PA1576/R/-X	TRANSISTOR	
		HS1	LP40621-001A	HEAT SINK,IC5101				Q1408	2SC4081/S/-X	TRANSISTOR	
		HS2	LP40479-001B	HEAT SINK,IC5301				Q1410	2SC4081/QRS/-X	TRANSISTOR	
		SD1	LP30720-001A	SHIELD CASE(PRE/REC)					or 2PC4081/R/-X	TRANSISTOR	
		OT1	QYTDSF3010Z	SCREW,X2				Q1412	2SC4081/QRS/-X	TRANSISTOR	
		OT2	PU59915-107	#500SPACER0.007,WR1					or 2PC4081/R/-X	TRANSISTOR	
		OT3	PU59915-105	#500SPACER0.01,C45				Q1413	2SA1576A/QR/-X	TRANSISTOR	
		OT4	PU59915-107	#500SPACER0.007,WR13-WR11					or 2PA1576/R/-X	TRANSISTOR	
		OT5	PU59915-107	#500SPACER0.007,WR14				Q1414	DTC144WU	TRANSISTOR	
		OT6	QYTDST3008Z	SCREW,IC5101					or UN521E	TRANSISTOR	
		OT7	QYTDST3006Z	SCREW,IC5301					or RN1309	TRANSISTOR	
		WR1	QUB351-10ZAZA	SIN TWIST WIRE				Q1417	2SC4081/QRS/-X	TRANSISTOR	
		WR13	QUB371-26A4ZA	SIN TWIST WIRE					or 2PC4081/R/-X	TRANSISTOR	
		WR14	QUB372-09A4ZA	SIN TWIST WIRE				Q1418	2SA1576A/QR/-X	TRANSISTOR	
		WR101	QRE141J-0R0	RESISTOR,M/I	0Ω,1/4W				or 2PA1576/R/-X	TRANSISTOR	
		FC5001	QNG0006-001Z	FUSE CLIP,F5001				Q1419	DTC124TU	TRANSISTOR	
		FC5002	QNG0006-001Z	FUSE CLIP,F5001				Q1420	2SC4081/QRS/-X	TRANSISTOR	
△		LF5001	PELN1204-01-01	LINE FILTER					or 2PC4081/R/-X	TRANSISTOR	
△		LF5002	QQR0608-001	LINE FILTER				D1401	RD4.3ES/B2/-T2	ZENER DIODE	
		CN1	QGF1028C1-13	FPC CONNECTOR,(4-16)U.DRUM					or MTZJ4.3B	ZENER DIODE	
		CN901	QGF1207C1-04	FPC CONNECTOR,(1-4)FRONT S IN				D1402	1SS133	DIODE	
		CN902	QGF1207C1-05	FPC CONNECTOR,(1-5)F_IN					or 1N4148M	DIODE	
		CN903	QGB2024K1-12S	CONNECTOR,(1-12)TERMINAL				R1401	NRSA02J-181X	MG RESISTOR	180Ω,1/10W
		CN904	QGB2024K1-12S	CONNECTOR,(1-12)TERMINAL				R1402	NRSA02J-101X	MG RESISTOR	100Ω,1/10W
		CN905	QGB2024K1-05S	CONNECTOR,(1-5)TERMINAL				R1404	NRSA02J-182X	MG RESISTOR	1.8kΩ,1/10W
		CN907	QGB2024K1-10S	CONNECTOR,(1-10)TERMINAL				R1406	NRSA02J-471X	MG RESISTOR	470Ω,1/10W
		CN2001	QGF1207C1-07	FPC CONNECTOR,(1-7)A/C HEAD				R1407	NRSA02J-272X	MG RESISTOR	2.7kΩ,1/10W
		CN2002	QGB2532J1-02	CONNECTOR,(1-2)FE HEAD				R1408	NRSA02J-122X	MG RESISTOR	1.2kΩ,1/10W
		CN2051	QGB2024K1-04S	CONNECTOR,(1-4)AUDIO ERASE				R1410	NRSA02J-391X	MG RESISTOR	390Ω,1/10W
		CN3001	QGF1207C1-05	FPC CONNECTOR,(1-5)DRUM MDA				R1411	NRSA02J-152X	MG RESISTOR	1.5kΩ,1/10W
		CN3002	QGB2532J1-02	CONNECTOR,(1-2)LOADING MOTOR				R1413	NRSA02J-331X	MG RESISTOR	330Ω,1/10W
		CN3003	QGB2015M2-08	CONNECTOR,(1-8)CAPSTAN MOTOR				R1414	NRSA02J-821X	MG RESISTOR	820Ω,1/10W

\*\*\*\*\*

**3D DIGITAL/2M BOARD ASSEMBLY <05>**

#	△ REF No.	PART No.	PART NAME, DESCRIPTION
R1415		NRSA02J-221X	MG RESISTOR 220Ω,1/10W
R1416		NRSA02J-104X	MG RESISTOR 100kΩ,1/10W
R1417		NRSA02J-101X	MG RESISTOR 100Ω,1/10W
R1418		NRSA02J-471X	MG RESISTOR 470Ω,1/10W
R1421		NRSA02J-391X	MG RESISTOR 390Ω,1/10W
R1426		NRSA02J-561X	MG RESISTOR 560Ω,1/10W
R1427		NRSA02J-333X	MG RESISTOR 33kΩ,1/10W
R1428		NRSA02J-393X	MG RESISTOR 39kΩ,1/10W
R1429		NRSA02J-152X	MG RESISTOR 1.5kΩ,1/10W
R1430		NRSA02J-222X	MG RESISTOR 2.2kΩ,1/10W
R1431		NRSA02J-821X	MG RESISTOR 820Ω,1/10W
R1432		NRSA02J-182X	MG RESISTOR 1.8kΩ,1/10W
R1433		NRSA02J-510X	MG RESISTOR 51Ω,1/10W
R1434		NRSA02J-153X	MG RESISTOR 15kΩ,1/10W
R1435		NRSA02J-223X	MG RESISTOR 22kΩ,1/10W
R1436		NRSA02J-682X	MG RESISTOR 6.8kΩ,1/10W
R1437		NRSA02J-392X	MG RESISTOR 3.9kΩ,1/10W
R1438		NRSA02J-473X	MG RESISTOR 47kΩ,1/10W
R1439		NRSA02J-273X	MG RESISTOR 27kΩ,1/10W
R1440		NRSA02J-473X	MG RESISTOR 47kΩ,1/10W
R1441		NRSA02J-682X	MG RESISTOR 6.8kΩ,1/10W
R1442		NRSA02J-682X	MG RESISTOR 6.8kΩ,1/10W
R1446		NRSA02J-102X	MG RESISTOR 1kΩ,1/10W
R1447		NRSA02J-102X	MG RESISTOR 1kΩ,1/10W
R1448		NRSA02J-102X	MG RESISTOR 1kΩ,1/10W
R1449		NRSA02J-102X	MG RESISTOR 1kΩ,1/10W
R1450		NRSA02J-102X	MG RESISTOR 1kΩ,1/10W
R1452		NRSA02J-471X	MG RESISTOR 470Ω,1/10W
R1453		NRSA02J-102X	MG RESISTOR 1kΩ,1/10W
R1454		NRSA02J-102X	MG RESISTOR 1kΩ,1/10W
R1455		NRSA02J-681X	MG RESISTOR 680Ω,1/10W
R1458		NRSA02J-681X	MG RESISTOR 680Ω,1/10W
R1459		NRSA02J-681X	MG RESISTOR 680Ω,1/10W
R1460		NRSA02J-273X	MG RESISTOR 27kΩ,1/10W
R1461		NRSA02J-121X	MG RESISTOR 120Ω,1/10W
R1463		NRSA02J-101X	MG RESISTOR 100Ω,1/10W
VR1401		QVZ3521-103Z	V RESISTOR,D/A LEVEL ADJ
C1401		QEKJ1CM-336	E CAPACITOR 33μF,16V
C1402		NCB21HK-103X	CAPACITOR 0.01μF,50V
C1403		QEKJ0JM-337	E CAPACITOR 330μF,6.3V
C1404		NCF21EZ-104X	CAPACITOR 0.1μF,25V
C1405		NCF21EZ-104X	CAPACITOR 0.1μF,25V
C1406		NCB21HK-103X	CAPACITOR 0.01μF,50V
C1407		NDC21HJ-680X	CAPACITOR 68pF,50V
C1408		NDC21HJ-330X	CAPACITOR 33pF,50V
C1410		QEKJ1EM-475	E CAPACITOR 4.7μF,25V
C1411		NCF21EZ-104X	CAPACITOR 0.1μF,25V
C1412		NDC21HJ-680X	CAPACITOR 68pF,50V
C1413		NDC21HJ-330X	CAPACITOR 33pF,50V
C1415		NCF21EZ-104X	CAPACITOR 0.1μF,25V
C1416		QEKJ1CM-106	E CAPACITOR 10μF,16V
C1417		NCF21EZ-104X	CAPACITOR 0.1μF,25V
C1421		NDC21HJ-330X	CAPACITOR 33pF,50V
C1422		NDC21HJ-680X	CAPACITOR 68pF,50V
C1423		NCF21EZ-104X	CAPACITOR 0.1μF,25V
C1424		NCB21HK-103X	CAPACITOR 0.01μF,50V
C1425		NCB21HK-103X	CAPACITOR 0.01μF,50V
C1426		NDC21HJ-390X	CAPACITOR 39pF,50V
C1428		NDC21HJ-220X	CAPACITOR 22pF,50V
C1429		QEKJ0JM-337	E CAPACITOR 330μF,6.3V
C1430		NCF21EZ-104X	CAPACITOR 0.1μF,25V

#	△ REF No.	PART No.	PART NAME, DESCRIPTION
C1432		NCF21CZ-105X	CAPACITOR 1μF,16V
C1433		NCF21EZ-104X	CAPACITOR 0.1μF,25V
C1435		NCF21EZ-104X	CAPACITOR 0.1μF,25V
C1436		NCF21EZ-104X	CAPACITOR 0.1μF,25V
C1437		NCF21EZ-104X	CAPACITOR 0.1μF,25V
C1438		NCF21EZ-104X	CAPACITOR 0.1μF,25V
C1439		NCF21CZ-105X	CAPACITOR 1μF,16V
C1440		NCF21EZ-104X	CAPACITOR 0.1μF,25V
C1441		NCF21EZ-104X	CAPACITOR 0.1μF,25V
C1442		NCF21CZ-105X	CAPACITOR 1μF,16V
C1444		NCF21EZ-104X	CAPACITOR 0.1μF,25V
C1445		NCF21EZ-104X	CAPACITOR 0.1μF,25V
C1446		QEKJ0JM-107	E CAPACITOR 100μF,6.3V
C1447		NCF21EZ-104X	CAPACITOR 0.1μF,25V
C1448		QEKJ0JM-337	E CAPACITOR 330μF,6.3V
C1449		NCF21EZ-104X	CAPACITOR 0.1μF,25V
C1450		NCF21EZ-104X	CAPACITOR 0.1μF,25V
C1451		QEKJ1EM-475	E CAPACITOR 4.7μF,25V
C1452		NCF21EZ-104X	CAPACITOR 0.1μF,25V
C1453		NCF21EZ-104X	CAPACITOR 0.1μF,25V
C1454		NCF21EZ-104X	CAPACITOR 0.1μF,25V
C1455		NCF21EZ-104X	CAPACITOR 0.1μF,25V
C1459		NDC21HJ-470X	CAPACITOR 47pF,50V
C1460		NDC21HJ-470X	CAPACITOR 47pF,50V
C1461		NDC21HJ-470X	CAPACITOR 47pF,50V
C1462		NDC21HJ-470X	CAPACITOR 47pF,50V
C1463		QEKJ0JM-336	E CAPACITOR 33μF,6.3V
C1465		NDC21HJ-470X	CAPACITOR 47pF,50V
C1466		NDC21HJ-470X	CAPACITOR 47pF,50V
C1467		NDC21HJ-470X	CAPACITOR 47pF,50V
C1468		NDC21HJ-101X	CAPACITOR 100pF,50V
C1470		NDC21HJ-330X	CAPACITOR 33pF,50V
C1471		NCF21EZ-104X	CAPACITOR 0.1μF,25V
C1472		NCF21EZ-104X	CAPACITOR 0.1μF,25V
C1473		NCF21EZ-104X	CAPACITOR 0.1μF,25V
L1401		QQL29BJ-100Z	COIL 10μH
L1402		QQL071J-6R8Y	COIL 6.8μH
L1403		QQL071J-6R8Y	COIL 6.8μH
L1404		QQL071J-6R8Y	COIL 6.8μH
L1405		QQL29BJ-100Z	COIL 10μH
L1406		QQL071J-330Y	COIL 33μH
L1407		QQL29BJ-100Z	COIL 10μH
L1409		QQL071J-1R0Y	COIL 1μH
LC1401		QQR0657-013Z	NOISE FILTER
LC1402		QQR0657-010Z	NOISE FILTER
SD1		LP30706-001B	SHIELD FRAME(S-VHS)
SD2		LP30684-001A	SHIELD CASE(S-VHS)
CN1401		QGG2502K1-17	HEADER PIN,(1-7)MAIN

\*\*\*\*\*

**TERMINAL BOARD ASSEMBLY <06>**

PW1	LPA10100-04A	TERMINAL BOARD ASSY
IC201	LC74776-9791	IC
IC901	BH7636S	IC
Q207	2SB1218A/QR/-X	TRANSISTOR
	or 2PA1576/R/-X	TRANSISTOR
	or 2SA1576A/QR/-X	TRANSISTOR

#	△ REF No.	PART No.	PART NAME, DESCRIPTION		#	△ REF No.	PART No.	PART NAME, DESCRIPTION	
Q901		UN5211	TRANSISTOR		R914		NQL402M-100X	COIL	10μH
		or PDTC114EU	TRANSISTOR		R915		NQL402M-100X	COIL	10μH
		or RN1302	TRANSISTOR		R916		NRSA02J-102X	MG RESISTOR	1kΩ,1/10W
		or DTC114EU	TRANSISTOR		R917		NRSA02J-0R0X	MG RESISTOR	0Ω,1/10W
Q902		2SB1218A/QR/-X	TRANSISTOR		R918		NRSA02J-0R0X	MG RESISTOR	0Ω,1/10W
		or 2SA1576A/QR/-X	TRANSISTOR		R919		NRSA02J-101X	MG RESISTOR	100Ω,1/10W
		or 2PA1576R/-X	TRANSISTOR		R920		NRSA02J-0R0X	MG RESISTOR	0Ω,1/10W
Q903		2SB1218A/QR/-X	TRANSISTOR		R921		QRE123J-391X	RESISTOR	390Ω,1/2W
		or 2PA1576R/-X	TRANSISTOR		R922		QRE123J-391X	RESISTOR	390Ω,1/2W
		or 2SA1576A/QR/-X	TRANSISTOR		R923		NRSA02J-750X	MG RESISTOR	75Ω,1/10W
Q904		2SB1218A/QR/-X	TRANSISTOR		R924		NRSA02J-750X	MG RESISTOR	75Ω,1/10W
		or 2SA1576A/QR/-X	TRANSISTOR		R931		NRSA02J-101X	MG RESISTOR	100Ω,1/10W
		or 2PA1576R/-X	TRANSISTOR		R932		NRSA02J-511X	MG RESISTOR	510Ω,1/10W
Q905		2SD1819A/QRS/-X	TRANSISTOR		R933		NRSA02J-471X	MG RESISTOR	470Ω,1/10W
		or 2PC4081R/-X	TRANSISTOR		R934		NRSA02J-101X	MG RESISTOR	100Ω,1/10W
		or 2SC4081/QRS/-X	TRANSISTOR		R935		QRE141J-101Y	RESISTOR	100Ω,1/4W
Q906		2SD1819A/QRS/-X	TRANSISTOR		R936		NRSA02J-101X	MG RESISTOR	100Ω,1/10W
		or 2SC4081/QRS/-X	TRANSISTOR		R937		QRE141J-101Y	RESISTOR	100Ω,1/4W
		or 2PC4081R/-X	TRANSISTOR		R938		QRE141J-101Y	RESISTOR	100Ω,1/4W
Q907		2SD1819A/QRS/-X	TRANSISTOR		R939		QRE141J-101Y	RESISTOR	100Ω,1/4W
		or 2PC4081R/-X	TRANSISTOR		R940		NRSA02J-103X	MG RESISTOR	10kΩ,1/10W
		or 2SC4081/QRS/-X	TRANSISTOR		R941		NRSA02J-332X	MG RESISTOR	3.3kΩ,1/10W
Q908		2SB1218A/QR/-X	TRANSISTOR		R942		NRSA02J-472X	MG RESISTOR	4.7kΩ,1/10W
		or 2SA1576A/QR/-X	TRANSISTOR		R943		NRSA02J-0R0X	MG RESISTOR	0Ω,1/10W
		or 2PA1576R/-X	TRANSISTOR		R944		NRSA02J-272X	MG RESISTOR	2.7kΩ,1/10W
Q909		2SB1218A/QR/-X	TRANSISTOR		R945		NRSA02J-102X	MG RESISTOR	1kΩ,1/10W
		or 2PA1576R/-X	TRANSISTOR		R946		NRSA02J-561X	MG RESISTOR	560Ω,1/10W
		or 2SA1576A/QR/-X	TRANSISTOR		R947		NRSA02J-682X	MG RESISTOR	6.8kΩ,1/10W
Q911		UN521E	TRANSISTOR		R949		QRE123J-331X	RESISTOR	330Ω,1/2W
		or PDTC144WU	TRANSISTOR		R951		NRSA02J-332X	MG RESISTOR	3.3kΩ,1/10W
		or DTC144WU	TRANSISTOR		R952		NRSA02J-562X	MG RESISTOR	5.6kΩ,1/10W
		or RN1309	TRANSISTOR		R953		NRSA02J-562X	MG RESISTOR	5.6kΩ,1/10W
Q912		UN5215	TRANSISTOR		R964		NRSA02J-101X	MG RESISTOR	100Ω,1/10W
		or PDTC114TU	TRANSISTOR		R965		NRSA02J-101X	MG RESISTOR	100Ω,1/10W
		or RN1311	TRANSISTOR		C201		QEKJ0JM-227	E CAPACITOR	220μF,6.3V
		or DTC114TU	TRANSISTOR		C204		NDC21HJ-100X	CAPACITOR	10pF,50V
D201		QRE141J-152Y	RESISTOR	1.5kΩ,1/4W	C206		NDC21HJ-330X	CAPACITOR	33pF,50V
D205		1SS133	DIODE		C207		NDC21HJ-330X	CAPACITOR	33pF,50V
R202		NRSA02J-103X	MG RESISTOR	10kΩ,1/10W	C209		NCB21CK-474X	CAPACITOR	0.47μF,16V
R208		NRSA02J-222X	MG RESISTOR	2.2kΩ,1/10W	C210		NDC21HJ-101X	CAPACITOR	100pF,50V
R209		NRSA02J-682X	MG RESISTOR	6.8kΩ,1/10W	C211		NDC21HJ-101X	CAPACITOR	100pF,50V
R210		NRSA02J-182X	MG RESISTOR	1.8kΩ,1/10W	C212		NCB21EK-104X	CAPACITOR	0.1μF,25V
R211		NRSA02J-562X	MG RESISTOR	5.6kΩ,1/10W	C213		QEKJ1EM-475	E CAPACITOR	4.7μF,25V
R212		NRSA02J-101X	MG RESISTOR	100Ω,1/10W	C214		NCB21CK-224X	CAPACITOR	0.22μF,16V
R213		NRSA02J-0R0X	MG RESISTOR	0Ω,1/10W	C215		NCB21CK-224X	CAPACITOR	0.22μF,16V
R214		NRSA02J-103X	MG RESISTOR	10kΩ,1/10W	C216		QEKJ0JM-227	E CAPACITOR	220μF,6.3V
R216		NRSA02J-103X	MG RESISTOR	10kΩ,1/10W	C217		NDC21HJ-560X	CAPACITOR	56pF,50V
R218		NRSA02J-331X	MG RESISTOR	330Ω,1/10W	C218		NCB21AK-105X	CAPACITOR	1μF,10V
R901		NRSA02J-750X	MG RESISTOR	75Ω,1/10W	C222		NCB21AK-105X	CAPACITOR	1μF,10V
R902		NRSA02J-750X	MG RESISTOR	75Ω,1/10W	C225		NCB21EK-104X	CAPACITOR	0.1μF,25V
R903		NRSA02J-680X	MG RESISTOR	68Ω,1/10W	C901		NCB21HK-331X	CAPACITOR	330pF,50V
R904		NRSA02J-101X	MG RESISTOR	100Ω,1/10W	C902		NCB21HK-331X	CAPACITOR	330pF,50V
R905		NRSA02J-101X	MG RESISTOR	100Ω,1/10W	C903		NCB21HK-471X	CAPACITOR	470pF,50V
R906		NQL402M-100X	COIL	10μH	C904		NCB21HK-471X	CAPACITOR	470pF,50V
R907		NQL402M-100X	COIL	10μH	C905		NCB21HK-331X	CAPACITOR	330pF,50V
R908		NRSA02J-0R0X	MG RESISTOR	0Ω,1/10W	C906		NCB21HK-331X	CAPACITOR	330pF,50V
R909		NRSA02J-750X	MG RESISTOR	75Ω,1/10W	C907		NCB21HK-471X	CAPACITOR	470pF,50V
R910		NRSA02J-750X	MG RESISTOR	75Ω,1/10W	C908		NCB21HK-471X	CAPACITOR	470pF,50V
R911		NRSA02J-750X	MG RESISTOR	75Ω,1/10W	C910		NCB21HK-102X	CAPACITOR	0.001μF,50V
R912		NRSA02J-101X	MG RESISTOR	100Ω,1/10W	C912		NCB21HK-102X	CAPACITOR	0.001μF,50V
R913		NRSA02J-101X	MG RESISTOR	100Ω,1/10W	C913		NCB21HK-103X	CAPACITOR	0.01μF,50V

#	△ REF No.	PART No.	PART NAME, DESCRIPTION
C914		NCB21HK-103X	CAPACITOR 0.01μF,50V
C915		NCB21HK-103X	CAPACITOR 0.01μF,50V
C916		NCB21HK-223X	CAPACITOR 0.022μF,50V
C917		NCB21HK-223X	CAPACITOR 0.022μF,50V
C918		NCB21HK-223X	CAPACITOR 0.022μF,50V
C921		NDC21HJ-330X	CAPACITOR 33pF,50V
C923		QEKJ1CM-476	E CAPACITOR 47μF,16V
C924		NCB21HK-103X	CAPACITOR 0.01μF,50V
C925		NCB21HK-223X	CAPACITOR 0.022μF,50V
C927		QEKJ1CM-476	E CAPACITOR 47μF,16V
C930		NCB21HK-103X	CAPACITOR 0.01μF,50V
C931		QEKJ1CM-476	E CAPACITOR 47μF,16V
C933		NCB21HK-331X	CAPACITOR 330pF,50V
C934		NCB21HK-331X	CAPACITOR 330pF,50V
C935		NCB21HK-471X	CAPACITOR 470pF,50V
C936		NCB21HK-471X	CAPACITOR 470pF,50V
C937		NCB21HK-331X	CAPACITOR 330pF,50V
C938		NCB21HK-331X	CAPACITOR 330pF,50V
C939		NCB21HK-471X	CAPACITOR 470pF,50V
C940		NCB21HK-471X	CAPACITOR 470pF,50V
C941		QETJ0JM-477	E CAPACITOR 470μF,6.3V
C942		QEKJ1CM-476	E CAPACITOR 47μF,16V
C943		QEKJ1CM-476	E CAPACITOR 47μF,16V
C945		QEKJ1CM-106	E CAPACITOR 10μF,16V
C946		QEKJ1CM-106	E CAPACITOR 10μF,16V
C947		QETJ0JM-477	E CAPACITOR 470μF,6.3V
C951		QEKJ1CM-476	E CAPACITOR 47μF,16V
L201		QQL29BK-1R0Z	COIL 1μH
L202		QQL071J-330Y	COIL 33μH
L203		QQL071J-220Y	COIL 22μH
L204		QQL29BJ-100Z	COIL 10μH
L206		QQL071J-220Y	COIL 22μH
L901		QQL231J-R22Y	COIL 0.22μH
L902		QQL071J-1R0Y	COIL 1μH
L903		QQL071J-150Y	COIL 15μH
L904		QQL071J-150Y	COIL 15μH
L910		QQL071J-1R0Y	COIL 1μH
L913		QQL071J-4R7Y	COIL 4.7μH
L914		QQL071J-4R7Y	COIL 4.7μH
L915		QQL071J-4R7Y	COIL 4.7μH
L916		QQL071J-4R7Y	COIL 4.7μH
L917		QQL071J-4R7Y	COIL 4.7μH
L918		QQL071J-4R7Y	COIL 4.7μH
L919		QQL071J-4R7Y	COIL 4.7μH
L920		QQL071J-4R7Y	COIL 4.7μH
ET1		PQ21987-1-1	EATH PLATE(TERMINAL)
△ TB1		LP30712-008B	TERMINAL BOARD ASSY
OT1		QYTD5F3008Z	SCREW,X8
J901		PEMC1177	RGB21PIN SOCKET,AV1 IN/OUT
J902		PEMC1177	RGB21PIN SOCKET,AV2/DECODER
J903		QND0085-001	S JACK,S OUT
J912		QNN0021-003	PIN JACK,A.OUT(L)
J913		QNN0021-002	PIN JACK,A.OUT(R)
J923		PEMC1190	MINI JACK,JLIP
J924		QNS0150-001	2.5 JACK,LANC
J925		PU60659	MINI JACK,SAT.CTL
J926		PU60659	MINI JACK,PAUSE/RAE
WR901		QUB320-07ZAZA	SIN TWIST WIRE
CN911		QGF1208F1-14	FPC CONNECTOR,(1-14)S-SUB
CN912		QGF1208F1-08	FPC CONNECTOR,(1-8)NAVIGATION
CN913		QGB2024J1-12S	CONNECTOR,(1-12)MAIN

#	△ REF No.	PART No.	PART NAME, DESCRIPTION
CN914		QGB2024J1-12S	CONNECTOR,(1-12)MAIN
CN915		QGB2024J1-05S	CONNECTOR,(1-5)MAIN
CN917		QGB2024J1-10S	CONNECTOR,(1-10)MAIN

\*\*\*\*\*

**AUDIO CONTROL HEAD BOARD ASSEMBLY <12>**

PW1	LPA10010-01A1	A/C HEAD BOARD ASSY
CN1	QGF1208F1-07	FPC CONNECTOR

\*\*\*\*\*

**DEMOD BOARD ASSEMBLY <14>**

PW1	LPA10094-01C	DEMOD BOARD ASSY
IC6701	MSP34VCDT	IC
	or MSP3417D	IC
Q6701	2SC3936/BC/-X	TRANSISTOR
D6701	1SS133	DIODE
	or 1N4148M	DIODE
R6701	NRSA02J-392X	MG RESISTOR 3.9kΩ,1/10W
R6702	NRSA02J-682X	MG RESISTOR 6.8kΩ,1/10W
R6703	NRSA02J-470X	MG RESISTOR 47Ω,1/10W
R6704	NRSA02J-102X	MG RESISTOR 1kΩ,1/10W
R6705	NRSA02J-271X	MG RESISTOR 270Ω,1/10W
R6706	NRSA02J-151X	MG RESISTOR 150Ω,1/10W
R6707	NRSA02J-220X	MG RESISTOR 22Ω,1/10W
R6708	NRSA02J-101X	MG RESISTOR 100Ω,1/10W
R6709	NRSA02J-101X	MG RESISTOR 100Ω,1/10W
R6710	NRSA02J-100X	MG RESISTOR 10Ω,1/10W
R6711	NRSA02J-684X	MG RESISTOR 680kΩ,1/10W
R6712	NRSA02J-102X	MG RESISTOR 1kΩ,1/10W
R6714	NRSA02J-102X	MG RESISTOR 1kΩ,1/10W
R6716	NRSA02J-470X	MG RESISTOR 47Ω,1/10W
R6719	QRE141J-103Y	RESISTOR 10kΩ,1/4W
R6720	NRSA02J-562X	MG RESISTOR 5.6kΩ,1/10W
R6721	NRSA02J-562X	MG RESISTOR 5.6kΩ,1/10W
C6701	NCB21HK-103X	CAPACITOR 0.01μF,50V
C6702	NCB21HK-222X	CAPACITOR 0.0022μF,50V
C6704	NCB21HK-103X	CAPACITOR 0.01μF,50V
C6705	NCB21HK-102X	CAPACITOR 0.001μF,50V
C6707	NDC21HJ-470X	CAPACITOR 47pF,50V
C6708	NDC21HJ-8R0X	CAPACITOR 8pF,50V
C6709	NDC21HJ-1R0X	CAPACITOR 1pF,50V
C6713	NCF21CZ-224X	CAPACITOR 0.22μF,16V
C6714	NCB21HK-682X	CAPACITOR 0.0068μF,50V
C6715	QEKJ1HM-225	E CAPACITOR 2.2μF,50V
C6716	NCB21HK-682X	CAPACITOR 0.0068μF,50V
C6717	QEKJ1HM-225	E CAPACITOR 2.2μF,50V
C6719	QEKJ1CM-106	E CAPACITOR 10μF,16V
C6720	QEKJ1CM-106	E CAPACITOR 10μF,16V
C6721	NCB21HK-103X	CAPACITOR 0.01μF,50V
C6723	NCB21HK-103X	CAPACITOR 0.01μF,50V
C6724	QEKJ1HM-225	E CAPACITOR 2.2μF,50V
L6701	QQL231J-1R0Y	COIL 1μH
L6702	QQL231J-3R3Y	COIL 3.3μH



#	REF No.	PART No.	PART NAME, DESCRIPTION
X6701		QAX0443-001	CRYSTAL RESONATOR
K6701		NQR0200-003X	FERRITE BEAD
K6702		NQR0200-003X	FERRITE BEAD
K6703		NQR0200-003X	FERRITE BEAD
K6704		NQR0200-003X	FERRITE BEAD
K6705		NQR0200-003X	FERRITE BEAD
K6706		NQR0200-003X	FERRITE BEAD
K6707		NQR0200-003X	FERRITE BEAD
BK1		LP40077-001A	BRACKET(BOARD)
CN6701		QGG2502K1-10	HEADER PIN

\*\*\*\*\*

**S-SUB BOARD ASSEMBLY <15>**

PW1	LPA10103-01A	S-SUB BOARD ASSY	
IC501	JCP8018	IC	
	or JCP8028-01	IC	
	or JCP8038	IC	
	or JCP8028	IC	
IC502	VC2076DP	IC	
R503	NRSA02J-221X	MG RESISTOR	220Ω,1/10W
R504	NRSA02J-332X	MG RESISTOR	3.3kΩ,1/10W
R505	NRSA02J-392X	MG RESISTOR	3.9kΩ,1/10W
R506	NRSA02J-391X	MG RESISTOR	390Ω,1/10W
R507	NRSA02J-122X	MG RESISTOR	1.2kΩ,1/10W
R508	NRSA02J-151X	MG RESISTOR	150Ω,1/10W
R509	NRSA02J-162X	MG RESISTOR	1.6kΩ,1/10W
R510	NRVA02D-102X	CMF RESISTOR	1kΩ,1/10W
R511	NRVA02D-471X	CMF RESISTOR	470Ω,1/10W
R512	NRVA02D-102X	CMF RESISTOR	1kΩ,1/10W
R513	NRVA02D-152X	CMF RESISTOR	1.5kΩ,1/10W
R514	NRVA02D-332X	CMF RESISTOR	3.3kΩ,1/10W
R515	NRVA02D-332X	CMF RESISTOR	3.3kΩ,1/10W
R516	NRSA02J-0R0X	MG RESISTOR	0Ω,1/10W
R517	NRSA02J-0R0X	MG RESISTOR	0Ω,1/10W
R525	NRSA02J-125X	MG RESISTOR	1.2MΩ,1/10W
R527	NRSA02J-332X	MG RESISTOR	3.3kΩ,1/10W
R531	NRSA02J-101X	MG RESISTOR	100Ω,1/10W
R532	NRSA02J-101X	MG RESISTOR	100Ω,1/10W
R533	NRSA02J-101X	MG RESISTOR	100Ω,1/10W
R534	NRSA02J-101X	MG RESISTOR	100Ω,1/10W
R535	NRSA02J-101X	MG RESISTOR	100Ω,1/10W
R536	NRSA02J-101X	MG RESISTOR	100Ω,1/10W
C501	QEKJ1HM-225	E CAPACITOR	2.2μF,50V
C502	QEKJ1EM-475	E CAPACITOR	4.7μF,25V
C503	QEKJ1HM-225	E CAPACITOR	2.2μF,50V
C504	NCB21EK-104X	CAPACITOR	0.1μF,25V
C505	QEKJ1EM-475	E CAPACITOR	4.7μF,25V
C506	NCB21EK-104X	CAPACITOR	0.1μF,25V
C507	QEKJ0JM-227	E CAPACITOR	220μF,6.3V
C508	QEPF1HM-474	NP E CAPACITOR	0.47μF,50V
C509	QEKJ1CM-106	E CAPACITOR	10μF,16V
C510	QEKJ0JM-227	E CAPACITOR	220μF,6.3V
C511	NCB21HK-103X	CAPACITOR	0.01μF,50V
C512	NCB21HK-103X	CAPACITOR	0.01μF,50V
C513	QEKJ1EM-475	E CAPACITOR	4.7μF,25V
C514	NCB21HK-103X	CAPACITOR	0.01μF,50V
C515	NCB21HK-103X	CAPACITOR	0.01μF,50V

#	REF No.	PART No.	PART NAME, DESCRIPTION
C516		NCB21HK-103X	CAPACITOR 0.01μF,50V
C517		NCF21EZ-104X	CAPACITOR 0.1μF,25V
C518		NCB21EK-104X	CAPACITOR 0.1μF,25V
C519		QEKJ1HM-225	E CAPACITOR 2.2μF,50V
C520		QERF1EM-475	E CAPACITOR 4.7μF,25V
C521		QEKJ1EM-475	E CAPACITOR 4.7μF,25V
C522		QEKJ1HM-225	E CAPACITOR 2.2μF,50V
C523		QEKJ1HM-225	E CAPACITOR 2.2μF,50V
C524		NDC21HG-301X	CAPACITOR 300pF,50V
C525		NDC21HG-301X	CAPACITOR 300pF,50V
C526		NDC21HJ-101X	CAPACITOR 100pF,50V
C527		NDC21HJ-181X	CAPACITOR 180pF,50V
C528		NDC21HG-271X	CAPACITOR 270pF,50V
C529		NDC21HG-820X	CAPACITOR 82pF,50V
C530		NDC21HG-221X	CAPACITOR 220pF,50V
C531		NDC21HG-301X	CAPACITOR 300pF,50V
C532		NDC21HG-301X	CAPACITOR 300pF,50V
C533		NCB21HK-103X	CAPACITOR 0.01μF,50V
C534		QETJ0JM-477	E CAPACITOR 470μF,6.3V
C535		NCB21HK-103X	CAPACITOR 0.01μF,50V
C551		QEKJ1HM-105	E CAPACITOR 1μF,50V
C552		NCB21HK-103X	CAPACITOR 0.01μF,50V
C553		NCB21HK-103X	CAPACITOR 0.01μF,50V
C554		QEKJ1HM-105	E CAPACITOR 1μF,50V
C555		NCB21HK-103X	CAPACITOR 0.01μF,50V
C556		NCB21HK-103X	CAPACITOR 0.01μF,50V
C557		QEKJ1HM-105	E CAPACITOR 1μF,50V
C558		NCB21HK-103X	CAPACITOR 0.01μF,50V
C559		NCB21HK-103X	CAPACITOR 0.01μF,50V
C560		QEKJ1HM-105	E CAPACITOR 1μF,50V
C561		QEKJ1HM-105	E CAPACITOR 1μF,50V
C563		NCB21HK-103X	CAPACITOR 0.01μF,50V
C568		NDC21HJ-680X	CAPACITOR 68pF,50V
C569		NDC21HJ-680X	CAPACITOR 68pF,50V
C570		NDC21HJ-680X	CAPACITOR 68pF,50V
C571		NDC21HJ-680X	CAPACITOR 68pF,50V
C572		NDC21HJ-680X	CAPACITOR 68pF,50V
C573		NDC21HJ-680X	CAPACITOR 68pF,50V
L501		QQL29BJ-100Z	COIL 10μH
L503		QQL29BJ-100Z	COIL 10μH
L504		QQL29BJ-100Z	COIL 10μH
BK1		LP40077-001A	BRACKET(BOARD)
CN511		QGG2503K2-30	HEADER PIN,(1-30)MAIN
CN512		QGF1209F2-14	FFC/FPC CONNECTOR,(1-14)TERMINAL

\*\*\*\*\*

**NAVIGATION BOARD ASSEMBLY <19>  
[LPB10108-001\*]**

There are currently two types of Navigation boards in used, these are the LPB10108-001\* and the LPB10108-002\*.

These two boards have different Schematic Diagrams and Parts Lists. Be sure to check the board number before selecting its corresponding Schematic Diagram and Parts List.

PW1	LPA10108-01B	NAVIGATION BOARD ASSY
IC3301	MN101C12GCG	IC(MCU)
	or MN101C49HCG	IC(MCU)
	or MN101CP12GAFCG	IC(MCU)

#	△ REF No.	PART No.	PART NAME, DESCRIPTION
		or MN101CP49KAFCG	IC(MCU)
IC3401		74HC4053D	IC
IC3402		74HC4053D	IC
IC3403		AT45D011-SC-X	IC
IC3405		TC7W241FU	IC(DIGITAL)
IC3406		TC7W241FU	IC(DIGITAL)
D3401		RB751V-40-X	SB DIODE
D3402		RB751V-40-X	SB DIODE
D3407		1SS355	DIODE
R3302		NRSA02J-0R0X	MG RESISTOR 0Ω,1/10W
R3313		NRSA02J-0R0X	MG RESISTOR 0Ω,1/10W
R3321		NRSA02J-0R0X	MG RESISTOR 0Ω,1/10W
R3322		NRSA02J-0R0X	MG RESISTOR 0Ω,1/10W
R3323		NRSA02J-0R0X	MG RESISTOR 0Ω,1/10W
R3326		NRSA02J-102X	MG RESISTOR 1kΩ,1/10W
R3328		NRSA02J-0R0X	MG RESISTOR 0Ω,1/10W
R3329		NRSA02J-0R0X	MG RESISTOR 0Ω,1/10W
R3330		NRSA02J-0R0X	MG RESISTOR 0Ω,1/10W
R3331		NRSA02J-223X	MG RESISTOR 22kΩ,1/10W
R3332		NRSA02J-223X	MG RESISTOR 22kΩ,1/10W
R3333		NRSA02J-102X	MG RESISTOR 1kΩ,1/10W
R3339		NRSA02J-102X	MG RESISTOR 1kΩ,1/10W
R3340		NRSA02J-102X	MG RESISTOR 1kΩ,1/10W
R3342		NRSA02J-0R0X	MG RESISTOR 0Ω,1/10W
R3343		NRSA02J-0R0X	MG RESISTOR 0Ω,1/10W
R3345		NRSA02J-0R0X	MG RESISTOR 0Ω,1/10W
R3346		NRSA02J-0R0X	MG RESISTOR 0Ω,1/10W
R3347		NRSA02J-0R0X	MG RESISTOR 0Ω,1/10W
R3348		NRSA02J-0R0X	MG RESISTOR 0Ω,1/10W
R3349		NRSA02J-0R0X	MG RESISTOR 0Ω,1/10W
R3350		NRSA02J-0R0X	MG RESISTOR 0Ω,1/10W
R3351		NRSA02J-0R0X	MG RESISTOR 0Ω,1/10W
R3352		NRSA02J-0R0X	MG RESISTOR 0Ω,1/10W
R3371		NRSA02J-0R0X	MG RESISTOR 0Ω,1/10W
R3372		NRSA02J-0R0X	MG RESISTOR 0Ω,1/10W
R3373		NRSA02J-0R0X	MG RESISTOR 0Ω,1/10W
R3386		NRSA02J-103X	MG RESISTOR 10kΩ,1/10W
R3401		NRSA02J-0R0X	MG RESISTOR 0Ω,1/10W
R3402		NRSA02J-0R0X	MG RESISTOR 0Ω,1/10W
R3403		NRSA02J-0R0X	MG RESISTOR 0Ω,1/10W
R3404		NRSA02J-0R0X	MG RESISTOR 0Ω,1/10W
R3412		NRSA02J-0R0X	MG RESISTOR 0Ω,1/10W
R3414		NRSA02J-0R0X	MG RESISTOR 0Ω,1/10W
R3415		NRSA02J-0R0X	MG RESISTOR 0Ω,1/10W
R3422		NRSA02J-0R0X	MG RESISTOR 0Ω,1/10W
R3432		NRSA02J-0R0X	MG RESISTOR 0Ω,1/10W
R3452		NRSA02J-223X	MG RESISTOR 22kΩ,1/10W
R3462		NRSA02J-103X	MG RESISTOR 10kΩ,1/10W
R3463		NRSA02J-223X	MG RESISTOR 22kΩ,1/10W
R3464		NRSA02J-223X	MG RESISTOR 22kΩ,1/10W
R3465		NRSA02J-472X	MG RESISTOR 4.7kΩ,1/10W
R3466		NRSA02J-0R0X	MG RESISTOR 0Ω,1/10W
R3468		NRSA02J-103X	MG RESISTOR 10kΩ,1/10W
R3472		NRSA02J-472X	MG RESISTOR 4.7kΩ,1/10W
R3475		NRSA02J-103X	MG RESISTOR 10kΩ,1/10W
C3312		NDC21HJ-120X	CAPACITOR 12pF,50V
C3313		NDC21HJ-120X	CAPACITOR 12pF,50V
C3314		NCB21EK-104X	CAPACITOR 0.1μF,25V
C3321		NDC21HJ-220X	CAPACITOR 22pF,50V
C3322		NDC21HJ-220X	CAPACITOR 22pF,50V
C3323		NDC21HJ-220X	CAPACITOR 22pF,50V

#	△ REF No.	PART No.	PART NAME, DESCRIPTION
C3333		NRSA02J-102X	MG RESISTOR 1kΩ,1/10W
C3345		NDC21HJ-220X	CAPACITOR 22pF,50V
C3346		NDC21HJ-220X	CAPACITOR 22pF,50V
C3347		NDC21HJ-220X	CAPACITOR 22pF,50V
C3401		QEKJ0JM-226	E CAPACITOR 22μF,6.3V
C3402		NCB21EK-104X	CAPACITOR 0.1μF,25V
C3403		NCB21EK-104X	CAPACITOR 0.1μF,25V
C3404		NCB21EK-104X	CAPACITOR 0.1μF,25V
C3405		NCB21EK-104X	CAPACITOR 0.1μF,25V
C3414		NCB21EK-104X	CAPACITOR 0.1μF,25V
X3301		QAX0584-001	CRYSTAL RESONATOR
BK1		LP40425-001A	BRACKET(BOARD)
CN3401		QGG2502K1-13	HEADER PIN,(1-13)
CN3402		QGF1207F1-08	FPC CONNECTOR,(1-8)TERMINAL

\*\*\*\*\*

### NAVIGATION BOARD ASSEMBLY <19> [LPB10108-002\*]

PW1	LPA10108-11A	NAVIGATION BOARD ASSY
IC3301	MN101C12GCG	IC
	or MN101C49HCG	IC
	or MN101CP12GAFCG	IC
	or MN101CP49KAFCG	IC
IC3401	74HC4053D	IC
IC3402	74HC4053D	IC
IC3403	AT45DB011-SC-X	IC
IC3405	TC7W241FU	IC(DIGITAL)
IC3406	TC7W241FU	IC(DIGITAL)
IC3408	SN74LV08APW	IC
IC3409	TC7WT125FU	IC(DIGITAL)
Q3403	2SD1450/ST/-T	TRANSISTOR
D3401	RB751V-40-X	SB DIODE
D3402	RB751V-40-X	SB DIODE
D3407	1SS355	DIODE
D3408	RD3.6ES/B2/-T2	ZENER DIODE
	or MTZJ3.6B	ZENER DIODE
R3302	NRSA02J-0R0X	MG RESISTOR 0Ω,1/10W
R3313	NRSA02J-0R0X	MG RESISTOR 0Ω,1/10W
R3321	NRSA02J-0R0X	MG RESISTOR 0Ω,1/10W
R3322	NRSA02J-0R0X	MG RESISTOR 0Ω,1/10W
R3323	NRSA02J-0R0X	MG RESISTOR 0Ω,1/10W
R3326	NRSA02J-102X	MG RESISTOR 1kΩ,1/10W
R3328	NRSA02J-0R0X	MG RESISTOR 0Ω,1/10W
R3329	NRSA02J-0R0X	MG RESISTOR 0Ω,1/10W
R3330	NRSA02J-0R0X	MG RESISTOR 0Ω,1/10W
R3331	NRSA02J-223X	MG RESISTOR 22kΩ,1/10W
R3332	NRSA02J-223X	MG RESISTOR 22kΩ,1/10W
R3333	NRSA02J-331X	MG RESISTOR 330Ω,1/10W
R3339	NRSA02J-102X	MG RESISTOR 1kΩ,1/10W
R3340	NRSA02J-102X	MG RESISTOR 1kΩ,1/10W
R3342	NRSA02J-0R0X	MG RESISTOR 0Ω,1/10W
R3343	NRSA02J-0R0X	MG RESISTOR 0Ω,1/10W
R3345	NRSA02J-0R0X	MG RESISTOR 0Ω,1/10W
R3346	NRSA02J-0R0X	MG RESISTOR 0Ω,1/10W
R3347	NRSA02J-0R0X	MG RESISTOR 0Ω,1/10W
R3348	NRSA02J-0R0X	MG RESISTOR 0Ω,1/10W
R3349	NRSA02J-0R0X	MG RESISTOR 0Ω,1/10W
R3350	NRSA02J-0R0X	MG RESISTOR 0Ω,1/10W

#	△	REF No.	PART No.	PART NAME, DESCRIPTION	#	△	REF No.	PART No.	PART NAME, DESCRIPTION
R3351			NRSA02J-0R0X	MG RESISTOR 0Ω,1/10W				or 2SC3199/YG/-T	TRANSISTOR
R3352			NRSA02J-0R0X	MG RESISTOR 0Ω,1/10W	Q7003			2SA933AS/QRS/-T	TRANSISTOR
R3371			NRSA02J-0R0X	MG RESISTOR 0Ω,1/10W				or 2SA1267/YG/-T	TRANSISTOR
R3372			NRSA02J-0R0X	MG RESISTOR 0Ω,1/10W	D7002			RD9.1ES/B2/-T2	ZENER DIODE
R3373			NRSA02J-0R0X	MG RESISTOR 0Ω,1/10W				or UZ9.1BSB	ZENER DIODE
R3386			NRSA02J-103X	MG RESISTOR 10kΩ,1/10W				or MTZJ9.1B	ZENER DIODE
R3401			NRSA02J-0R0X	MG RESISTOR 0Ω,1/10W	D7004			1SS133	DIODE
R3402			NRSA02J-0R0X	MG RESISTOR 0Ω,1/10W	D7005			1SS133	DIODE
R3403			NRSA02J-0R0X	MG RESISTOR 0Ω,1/10W	D7006			1SS133	DIODE
R3404			NRSA02J-0R0X	MG RESISTOR 0Ω,1/10W	D7007			1SS133	DIODE
R3412			NRSA02J-0R0X	MG RESISTOR 0Ω,1/10W	D7012			1SS133	DIODE
R3414			NRSA02J-0R0X	MG RESISTOR 0Ω,1/10W	D7013			1SS133	DIODE
R3415			NRSA02J-0R0X	MG RESISTOR 0Ω,1/10W	D7014			1SS133	DIODE
R3422			NRSA02J-0R0X	MG RESISTOR 0Ω,1/10W	R7001			QRE141J-471Y	RESISTOR 470Ω,1/4W
R3432			NRSA02J-0R0X	MG RESISTOR 0Ω,1/10W	R7002			QRE141J-471Y	RESISTOR 470Ω,1/4W
R3462			NRSA02J-103X	MG RESISTOR 10kΩ,1/10W	R7003			QRE141J-471Y	RESISTOR 470Ω,1/4W
R3465			NRSA02J-472X	MG RESISTOR 4.7kΩ,1/10W	R7004			QRE141J-471Y	RESISTOR 470Ω,1/4W
R3466			NRSA02J-0R0X	MG RESISTOR 0Ω,1/10W	R7005			QRE141J-103Y	RESISTOR 10kΩ,1/4W
R3468			NRSA02J-103X	MG RESISTOR 10kΩ,1/10W	R7006			QRE141J-103Y	RESISTOR 10kΩ,1/4W
R3472			NRSA02J-472X	MG RESISTOR 4.7kΩ,1/10W	R7007			QRE141J-103Y	RESISTOR 10kΩ,1/4W
R3475			NRSA02J-103X	MG RESISTOR 10kΩ,1/10W	R7008			QRE141J-103Y	RESISTOR 10kΩ,1/4W
R3476			NRSA02J-101X	MG RESISTOR 100Ω,1/10W	R7013			QRE141J-103Y	RESISTOR 10kΩ,1/4W
R3477			NRSA02J-271X	MG RESISTOR 270Ω,1/10W	R7020			QRE141J-103Y	RESISTOR 10kΩ,1/4W
C3312			NDC21HJ-120X	CAPACITOR 12pF,50V	R7021			QRE141J-122Y	RESISTOR 1.2kΩ,1/4W
C3313			NDC21HJ-120X	CAPACITOR 12pF,50V	R7022			QRE141J-182Y	RESISTOR 1.8kΩ,1/4W
C3314			NCB21EK-104X	CAPACITOR 0.1μF,25V	R7023			QRE141J-222Y	RESISTOR 2.2kΩ,1/4W
C3321			NDC21HJ-220X	CAPACITOR 22pF,50V	R7024			QRE141J-272Y	RESISTOR 2.7kΩ,1/4W
C3322			NDC21HJ-220X	CAPACITOR 22pF,50V	R7025			QRE141J-472Y	RESISTOR 4.7kΩ,1/4W
C3323			NDC21HJ-220X	CAPACITOR 22pF,50V	R7026			QRE141J-682Y	RESISTOR 6.8kΩ,1/4W
C3333			NRSA02J-472X	MG RESISTOR 4.7kΩ,1/10W	R7027			QRE141J-153Y	RESISTOR 15kΩ,1/4W
C3345			NDC21HJ-220X	CAPACITOR 22pF,50V	R7028			QRE141J-393Y	RESISTOR 39kΩ,1/4W
C3346			NDC21HJ-220X	CAPACITOR 22pF,50V	R7030			QRE141J-103Y	RESISTOR 10kΩ,1/4W
C3347			NDC21HJ-220X	CAPACITOR 22pF,50V	R7031			QRE141J-122Y	RESISTOR 1.2kΩ,1/4W
C3401			QEKJ0JM-226	E CAPACITOR 22μF,6.3V	R7032			QRE141J-182Y	RESISTOR 1.8kΩ,1/4W
C3402			NCB21EK-104X	CAPACITOR 0.1μF,25V	R7033			QRE141J-222Y	RESISTOR 2.2kΩ,1/4W
C3403			NCB21EK-104X	CAPACITOR 0.1μF,25V	R7034			QRE141J-272Y	RESISTOR 2.7kΩ,1/4W
C3404			NCB21EK-104X	CAPACITOR 0.1μF,25V	R7035			QRE141J-472Y	RESISTOR 4.7kΩ,1/4W
C3405			NCB21EK-104X	CAPACITOR 0.1μF,25V	R7036			QRE141J-682Y	RESISTOR 6.8kΩ,1/4W
C3414			NCB21EK-104X	CAPACITOR 0.1μF,25V	R7037			QRE141J-153Y	RESISTOR 15kΩ,1/4W
C3416			NCB21EK-104X	CAPACITOR 0.1μF,25V	R7038			QRE141J-393Y	RESISTOR 39kΩ,1/4W
C3417			NCB21EK-104X	CAPACITOR 0.1μF,25V	R7040			QRE141J-331Y	RESISTOR 330Ω,1/4W
C3419			NCB21HK-103X	CAPACITOR 0.01μF,50V	R7041			QRE141J-331Y	RESISTOR 330Ω,1/4W
X3301			QAX0584-001	CRYSTAL RESONATOR	R7042			QRE141J-331Y	RESISTOR 330Ω,1/4W
BK1			LP40425-001A	BRACKET(BOARD)	R7044			QRE141J-104Y	RESISTOR 100kΩ,1/4W
CN3401			QGG2502K1-13	HEADER PIN,(1-13)MAIN	R7045			QRE141J-102Y	RESISTOR 1kΩ,1/4W
CN3402			QGF1207F1-08	FPC CONNECTOR,(1-8)TERMINAL	R7046			QRE141J-394Y	RESISTOR 390kΩ,1/4W
					R7047			QRE141J-101Y	RESISTOR 100Ω,1/4W
					R7048			QRE141J-472Y	RESISTOR 4.7kΩ,1/4W
					C7001			QCFB1HZ-104	CAPACITOR 0.1μF,50V
					C7002			QETN1HM-106	E CAPACITOR 10μF,50V
					C7007			QETN1HM-476	E CAPACITOR 47μF,50V
					C7009			QCSB1HJ-150	CAPACITOR 15pF,50V
					C7010			QCFB1HZ-104	CAPACITOR 0.1μF,50V
					C7011			QETN1AM-227	E CAPACITOR 220μF,10V
					C7019			QDVB1EZ-223Y	CAPACITOR 0.022μF,25V
					C7022			QDVB1EZ-223Y	CAPACITOR 0.022μF,25V
					C7192			QCBB1HJ-681	CAPACITOR 680pF,50V
					C7194			QCBB1HJ-681	CAPACITOR 680pF,50V
					C7197			QCBB1HK-221	CAPACITOR 220pF,50V
					L7191			QRE141J-101Y	RESISTOR 100Ω,1/4W
					L7192			QRE141J-101Y	RESISTOR 100Ω,1/4W

\*\*\*\*\*

**DISPLAY BOARD ASSEMBLY <28>**

PW1	LPA10067-02A1	DISPLAY BOARD ASSY
IC7001	M35500BGP	IC
	or M35500AGP	IC
	or M35500BFP	IC
IC7002	PNA4652M00XB	IR DETECT UNIT
	or GP1U281X	IR DETECT UNIT
Q7001	DTC144WS	TRANSISTOR
Q7002	2SC1740S/QRS/-T	TRANSISTOR

#	△ REF No.	PART No.	PART NAME, DESCRIPTION	
L7196		QQL071J-1R0Y	COIL	1μH
S7001		QSW0456-002Z	TACT SWITCH,STAND-BY	
S7002		QSW0456-002Z	TACT SWITCH,A.MONITOR	
S7003		QSW0456-002Z	TACT SWITCH,C.RESET	
S7004		QSW0456-002Z	TACT SWITCH,IN/OUT	
S7005		QSW0456-002Z	TACT SWITCH,RAE	
S7006		QSW0456-002Z	TACT SWITCH,START	
S7007		QSW0456-002Z	TACT SWITCH,STOP/EJECT	
S7008		QSW0456-002Z	TACT SWITCH,MARK	
S7009		QSW0456-002Z	TACT SWITCH,ERASE	
S7010		QSW0456-002Z	TACT SWITCH,D.TBC/NR	
S7011		QSW0456-002Z	TACT SWITCH,SP/LP/EP	
S7012		QSW0456-002Z	TACT SWITCH,TIMER	
S7013		QSW0456-002Z	TACT SWITCH,SAT.CTL	
S7014		QSW0456-002Z	TACT SWITCH,VCR/TV	
S7015		QSW0456-002Z	TACT SWITCH,SYN.EDIT	
S7016		QSW0456-002Z	TACT SWITCH,SVHS ET	
S7017		QSW0456-002Z	TACT SWITCH,DISPLAY	
DI7001		QLF0032-002	FL TUBE	
HD1		LP30428-001A	FDP HOLDER(L),DI7001	
HD2		LP30429-001A	FDP HOLDER(R),DI7001	
OT1		PU59915-105	#500SPACER0.01,C7197	
J7191		PEMC1126-04	PIN JACK,VIDEO IN	
J7192		PEMC0922-03	PIN JACK(SW),A(L)IN	
J7193		PEMC0922-02	PIN JACK(SW),A(R)IN	
J7194		QND0085-001	S JACK,S VIDEO	
CN7001		QGF1207C1-14	FPC CONNECTOR,(1-14)MAIN	
CN7002		QGF1202C1-08	FPC CONNECTOR,(1-8)M.DOOR	
CN7191		QGF1207C1-05	FPC CONNECTOR,(3-7)MAIN	
CN7192		QGF1207C1-04	FPC CONNECTOR,(1-4)	

\*\*\*\*\*

**REC SAFETY BOARD ASSEMBLY <32>**

PW2	LPA10067-01B2	REC SAFETY BOARD ASSY
S7041	QSW0602-004	PUSH SWITCH
FW7001	QUM032-07A4A4	PARA RIBON WIRE

\*\*\*\*\*

**AUDIO ERASE BOARD ASSEMBLY <46>**

PW2	LPA10106-03A2	AUDIO ERASE BOARD ASSY	
Q2051	2SC4081/QRS/-X	TRANSISTOR	
	or 2PC4081/R/-X	TRANSISTOR	
	or 2SD1819A/QRS/-X	TRANSISTOR	
R2054	NRSA02J-153X	MG RESISTOR	15kΩ,1/10W
R2055	NRSA02J-3R3X	MG RESISTOR	3.3Ω,1/10W
C2052	QFLC1HJ-333Z	F CAPACITOR	0.033μF,50V
C2053	NCB21HK-332X	CAPACITOR	0.0033μF,50V
C2054	NCB21HK-103X	CAPACITOR	0.01μF,50V
C2055	QEKJ1CM-106	E CAPACITOR	10μF,16V
T2051	PELN0860	OSC TRANSFORMER	
CN2052	QGB2024J1-04S	CONNECTOR,(1-4)MAIN	

#	△ REF No.	PART No.	PART NAME, DESCRIPTION
*****			

**LOADING MOTOR BOARD ASSEMBLY <55>**

PW2	LPA10010-01A2	LOADING MOTOR BOARD ASSY
CN1	QGB2533K1-02	CONNECTOR